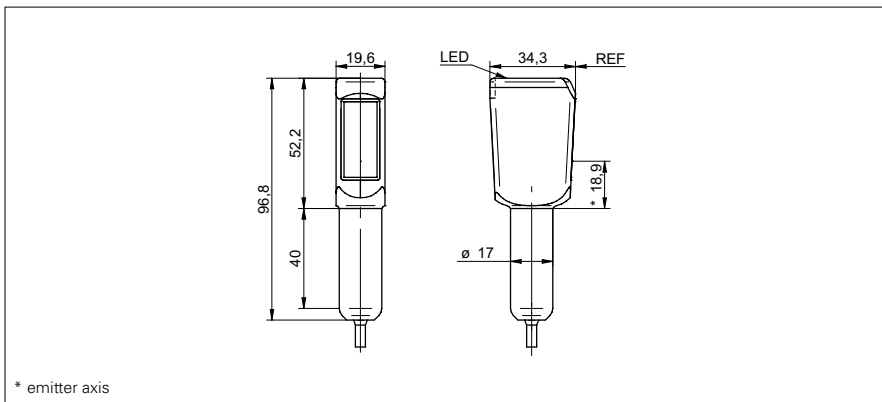


SmartReflect Light barriers

FNDH 14G6902

dimension drawing



general data

type	light barrier
special type	hygienic design
version	Tray and bottle detection
light source	pulsed point source LED
background position Sde	200 ... 800 mm on V4A
minimal signal attenuation	30 %
alignment / soiled lens indicator	flashing light indicator
power on indication	LED green
output indicator	LED red
sensing distance adjustment	Teach-in
wave length	660 nm
approvals/certificates	Ecolab EHEDG

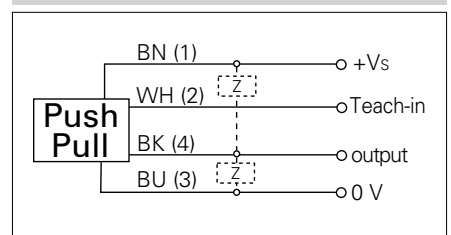
photo



electrical data

response time / release time	< 1,8 ms
voltage supply range +Vs	10 ... 30 VDC
current consumption max. (no load)	40 mA
current consumption typ.	35 mA
voltage drop Vd	< 2 VDC
output function	light / dark operate
output circuit	push-pull
output current	< 100 mA
short circuit protection	yes
reverse polarity protection	yes, Vs to GND

connection diagram



proTect⁺



- Sensor FDA compliant, EHEDG certified and Ecolab approved
- sensitivity adjustable: via Teach-in wire input

SmartReflect Light barriers**FNDH 14G6902****ambient conditions**

operating temperature	-30 ... +60 °C
protection class	IP 68/69K & proTect+
storage temperature	-30 ... +70 °C