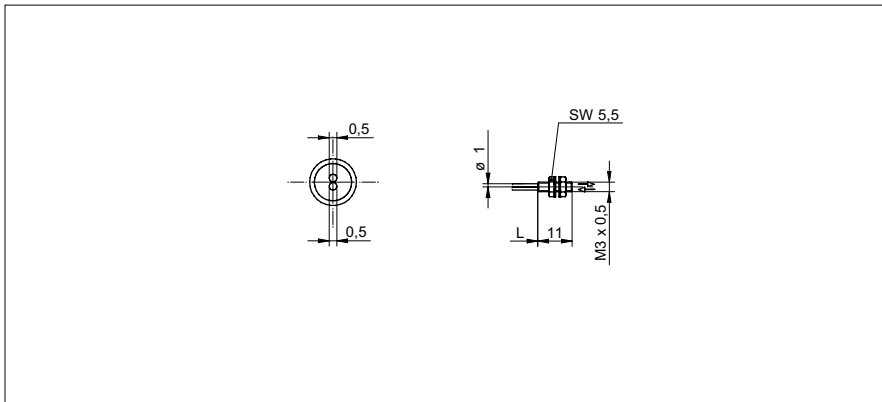


**Diffuse sensors fiber optics**

**FUE 200D1Y00**

**dimension drawing**



**general data**

|                                  |                              |
|----------------------------------|------------------------------|
| particular characteristics       | standard                     |
| type                             | Diffuse sensors              |
| sensing distance Tw              | 1 ... 105 mm                 |
| response time / release time     | 0,05 ... 5 ms                |
| type of head (fiber optic cable) | cylindrical threaded (axial) |
| width / diameter (head)          | 3 mm                         |
| height / length (head)           | 11 mm                        |
| material (head)                  | stainless steel              |
| bending radius                   | 15 mm                        |
| cable jacket diameter            | 1 mm                         |
| material cable jacket            | PE                           |
| material (fiber optic cable)     | plastic                      |
| length (fiber optic cable)       | 2000 mm                      |
| operating temperature            | -30 ... +70 °C               |

**photo**



Sensing distance/response time:  
For the definitive sensing distance/response time please see table below "fitting fiber optic sensors"



| fitting fiber optic sensors    | sensing distance Tw (0,05 ms) | sensing distance Tw (0,25 ms) | sensing distance Tw (1 ms) | sensing distance Tw (5 ms) |
|--------------------------------|-------------------------------|-------------------------------|----------------------------|----------------------------|
| FVDK 67 (standard version)     | 1 ... 12 mm (HS)              | -                             | 1 ... 80 mm (nL)           | 1 ... 105 mm (HP)          |
| FVDK 67 (2 adjustable outputs) | 1 ... 12 mm (HS)              | -                             | 1 ... 80 mm (nL)           | 1 ... 105 mm (HP)          |
| FVDK 67 (master/slave)         | 1 ... 12 mm (HS)              | -                             | 1 ... 80 mm (nL)           | 1 ... 105 mm (HP)          |
| FVDK 66 (standard version)     | -                             | 1 ... 25 mm (FT)              | 1 ... 43 mm (nL)           | -                          |
| FVDK 66 (master/slave)         | -                             | 1 ... 25 mm (FT)              | 1 ... 43 mm (nL)           | -                          |
| FVDK 22                        | -                             | -                             | 1 ... 35 mm (nL)           | -                          |
| FVDK 12                        | -                             | -                             | 1 ... 35 mm (nL)           | -                          |
| FVDK 12 (fast version)         | 1 ... 33 mm (HS)              | -                             | -                          | -                          |
| FVDK 10                        | -                             | -                             | 1 ... 18 mm (nL)           | -                          |
| FWDK 84 (analog output)        | -                             | -                             | 1 ... 10 mm (nL)           | -                          |

operating modes  
 HS High Speed  
 FT fast  
 nL Standard  
 HP High Sensitivity