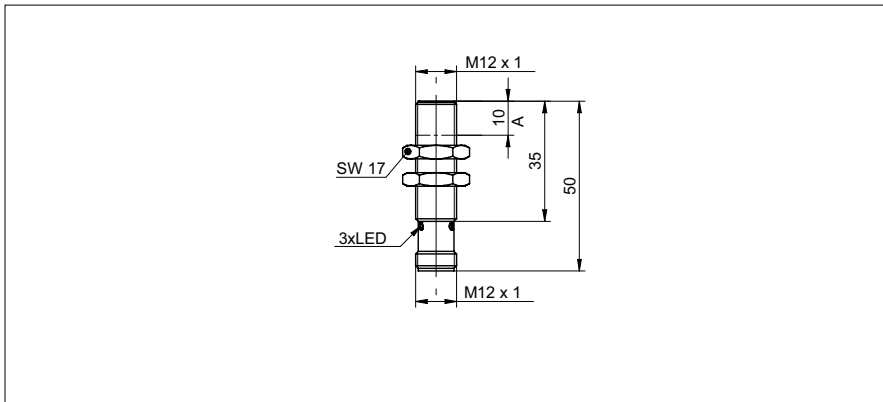


Inductive proximity switches

IR12.P04S-11158406

dimension drawing



general data

mounting type	flush
special type	Marine
nominal sensing distance S_n	4 mm
temperature drift	$\pm 20 \%$
hysteresis	2 ... 18 % of S_r
output indicator	3 port LED red
correction factor typ.	mild steel 100 %, stainless steel 75 %, aluminum 45 %
approvals/certificates	DNV GL

electrical data

switching frequency	< 1 kHz
voltage supply range +Vs	6 ... 36 VDC
normal operating voltage	24 VDC
current consumption max. (no load)	12 mA
output circuit	PNP make function (NO)
voltage drop V_d	< 2 VDC
output current	< 100 mA
short circuit protection	yes
reverse polarity protection	yes

mechanical data

type	cylindrical threaded
material (sensing face)	PBT
housing material	stainless steel 1.4404 (V4A)
dimension	12 mm
housing length	50 mm
connection types	connector M12
tightening torque max.	20 Nm (A: 12 Nm)

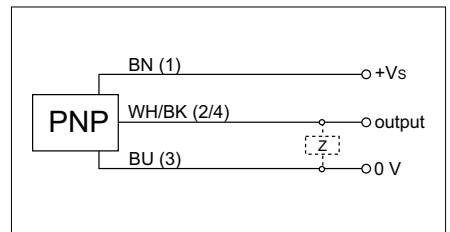
ambient conditions

operating temperature	-40 ... +75 °C
protection class	IP 67

photo



connection diagram

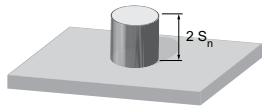


- Marine Type Approval (acc. to DNVGL-CG-0339)
- extended temperature range

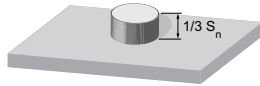
Inductive proximity switches

IR12.P04S-11158406

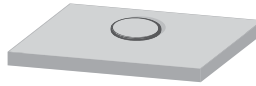
correction factors for different mounting situations (approx.)



Mounting material	Correction factor
Mild steel	100 %
Stainless steel	100 %
Aluminum	100 %



Mounting material	Correction factor
Mild steel	100 %
Stainless steel	90 %
Aluminum	80 %



Mounting material	Correction factor
Mild steel	100 %
Stainless steel	80 %
Aluminum	65 %

mounting instructions

