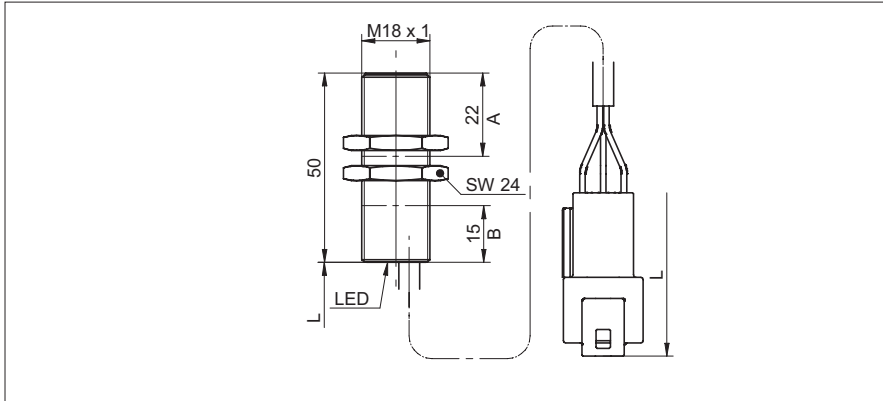


Inductive sensor

IR18V.P08S-11177635

Mat.-No.: 11177635

dimension drawing

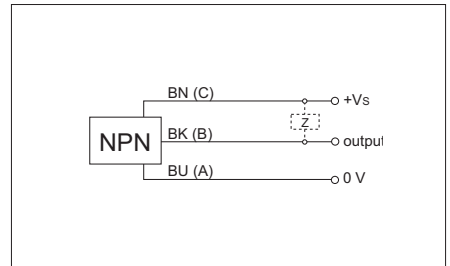


- Not for flush mounting in mild steel

general data

mounting type	flush
nominal sensing distance $S_n$	8 mm
hysteresis	3 ... 10 % of $S_r$
output indicator	LED red
approvals/certificates	EN 60947-5-2:2007, Sec 8.6 EN 13309:2010 <sup>1) 3)</sup> EN ISO 14982:2009 <sup>1) 2)</sup> ISO 13766:2006 <sup>1)</sup>

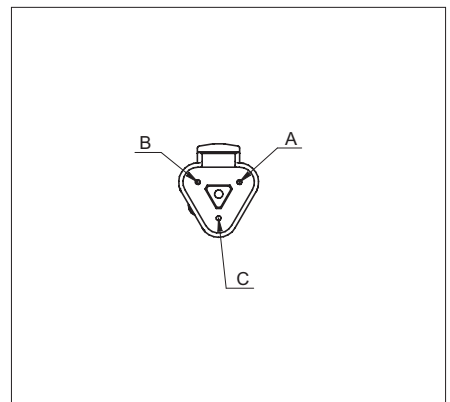
connection diagram



electrical data

switching frequency	< 800 Hz
voltage supply range +Vs	7 ... 48 V (12 V / 24 V vehicle power)
current consumption max. (no load)	10 mA
output circuit	NPN normally open (NO)
voltage drop $V_d$	< 2 VDC
output current	< 200 mA
short circuit protection	yes
reverse polarity protection	yes
Electromagnetic immunity	ISO 11452-4: 200mA ISO 11452-2: 100V/m Based on UN / ECE R10 Rev 5 ch. 6.8 (no ECE Type Approval available)
Emission	EN 55011 Based on UN / ECE R10 Rev 5 ch. 6.5, 6.6 (no ECE Type Approval available)

pin assignment



Test pulse (ISO 7637-2, ISO 16750-2)	1	2a	2b	3a	3b	4	5b
Severity level	IV	III	IV	III	III	III	-
Functional status (12V/24V System)	C	A	C	A	A	C/B	A

- <sup>1)</sup> only for use in machines with centralized load dump suppression (58 V)
- <sup>2)</sup> shall not be used in the direct control and modification of the state of function of the machine
- <sup>3)</sup> not for operations during engine start phase in 12 V Systems

## Inductive sensor

## IR18V.P08S-11177635

Mat.-No.: 11177635

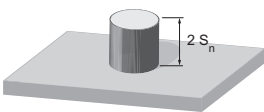
### mechanical data

type	cylindrical threaded
housing material	brass nickel plated
dimension	18 mm
housing length	50 mm
connection types	flylead connector Deutsch DT04-3P cable, jacket: PUR $\varnothing$ 5,7 wire: 3 x 0,75 mm <sup>2</sup> , L= 350 $\pm$ 10 mm
tightening torque max.	40 Nm (A: 28 Nm, B: 28 Nm)

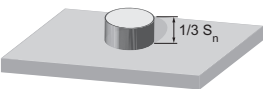
### ambient conditions

operating temperature	-40 ... +85 °C
protection class	IP 69K (front part) / IP 68 (1,5 m, 24 h)

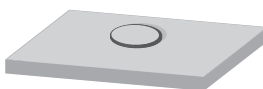
### correction factors for different mounting situations (approximate values)



Mounting material	Correction factor
Mild steel	100 %
Stainless steel	100 %
Aluminum	100 %



Mounting material	Correction factor
Mild steel	105%
Stainless steel	95 %
Aluminum	95 %



Mounting material	Correction factor
Mild steel	not possible
Stainless steel	95 %
Aluminum	80 %

### mounting instructions

