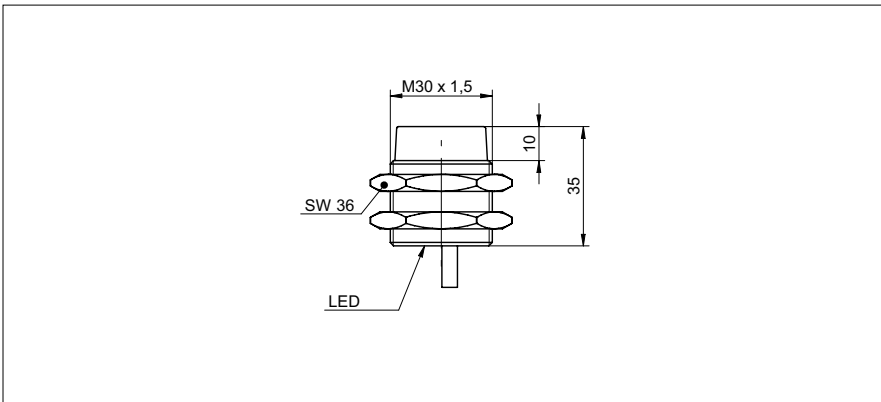


# Inductive proximity switch

**IR30.P24S-11174032**

**dimension drawing**



**general data**

|                                |   |
|--------------------------------|---|
| mounting type                  | non-flush   |
| special type                   | enhanced distance (GammaProx)                         |
| nominal sensing distance $S_n$ | 24 mm   |
| temperature drift              | $\pm 10 \%$   |
| hysteresis                     | 3 ... 20 % of $S_r$                                   |
| output indicator               | LED red   |
| correction factor typ.         | mild steel 100 %, stainless steel 70 %, aluminum 50 % |

**electrical data**

|                                    |                             |
|------------------------------------|-----------------------------|
| switching frequency                | < 500 Hz                    |
| voltage supply range +Vs           | 6 ... 36 VDC                |
| current consumption max. (no load) | 10 mA                       |
| output circuit                     | NPN complementary (NO / NC) |
| voltage drop $V_d$                 | < 2 VDC                     |
| output current                     | < 200 mA                    |
| short circuit protection           | yes                         |
| reverse polarity protection        | yes                         |

**mechanical data**

|                         |                      |
|-------------------------|----------------------|
| type                    | cylindrical threaded |
| material (sensing face) | PBT                  |
| housing material        | brass nickel plated  |
| dimension               | 30 mm                |
| housing length          | 35 mm                |
| connection types        | cable, 2 m           |
| tightening torque max.  | 140 Nm               |

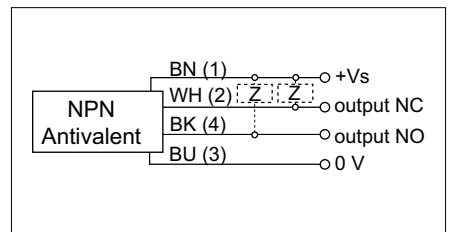
**ambient conditions**

|                       |                |
|-----------------------|----------------|
| operating temperature | -25 ... +75 °C |
| protection class      | IP 67          |

**photo**



**connection diagram**

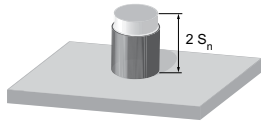


- increased sensing distance
- complementary output

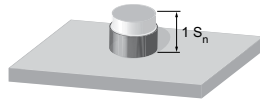
# Inductive proximity switch

# IR30.P24S-11174032

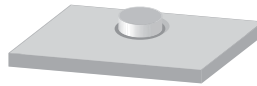
**correction factors for different mounting situations (approximate values)**



| Mounting material | Correction factor |
|-------------------|-------------------|
| Mild steel        | 100 %             |
| Stainless steel   | 95 %              |
| Aluminum          | 95 %              |



| Mounting material | Correction factor |
|-------------------|-------------------|
| Mild steel        | 100 %             |
| Stainless steel   | 95 %              |
| Aluminum          | 95 %              |



| Mounting material | Correction factor |
|-------------------|-------------------|
| Mild steel        | not possible      |
| Stainless steel   | 115 %             |
| Aluminum          | 90 %              |

**mounting instructions**

