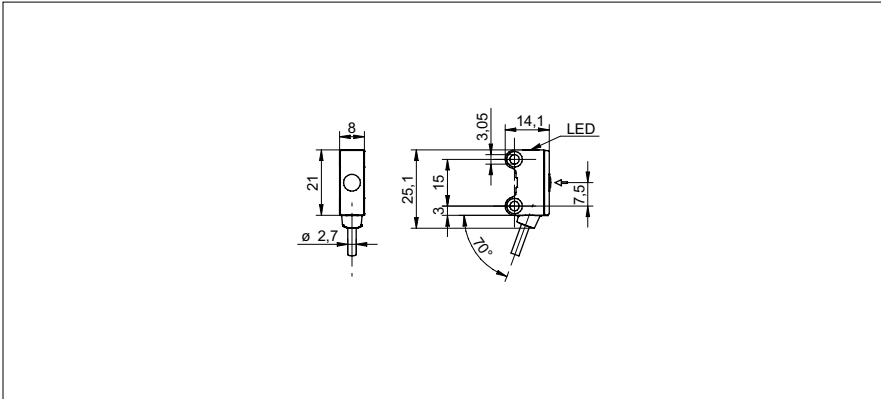


Through beam sensors

O200.ER-11210547

dimension drawing



general data

type	through beam sensor
emitter / receiver	receiver
actual range Sb	5 m
nominal range Sn	6 m
smallest object recognizable typ.	5 mm (0,5 mm with aperture)
alignment / soiled lens indicator	flashing output indicator
output indicator	LED yellow
power on indication	LED green
sensitivity adjustment	Teach-in: remote / 1-Step Teach-in
suppression of reciprocal influence	yes

electrical data

response time / release time	< 0,5 ms
voltage supply range +Vs	10 ... 30 VDC
current consumption max. (no load)	20 mA (@ 30 VDC)
current consumption typ.	16 mA (@ 24 VDC)
voltage drop Vd	< 2 VDC
output function	dark operate
output circuit	push-pull
output current	< 50 mA
short circuit protection	yes
reverse polarity protection	yes

mechanical data

width / diameter	8 mm
height / length	25,1 mm
depth	14,1 mm
type	rectangular
mechanical mounting	sleeve smooth (stainless steel)
housing material	plastic (ASA, PMMA)
front (optics)	PMMA
connection types	cable 4 pin, 2 m
cable characteristics	PVC / PVC 4 x 0,08 mm ²

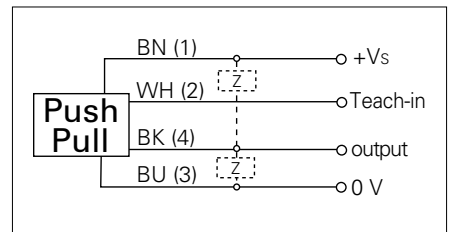
ambient conditions

operating temperature	-25 ... +50 °C
protection class	IP 67

photo



connection diagram



Through beam sensors

O200.ER-11210547

