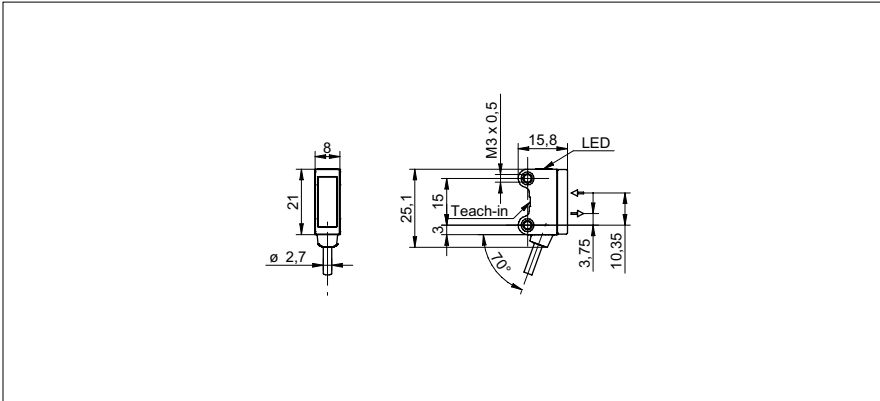


Diffuse sensors with background suppression

O200.GP-11210572

dimension drawing



general data

type	background suppression
light source	pulsed PinPoint LED
sensing distance Tw	20 ... 120 mm
sensing range Tb	3 ... 132 mm
smallest object recognizable typ.	0,25 mm at 40 mm
alignment / soiled lens indicator	flashing output indicator
power on indication	LED green
output indicator	LED yellow
sensing distance adjustment	Teach-in and IO-Link
wave length	644 nm
suppression of reciprocal influence	yes
alignment optical axis	< 1,5°

electrical data

response time / release time	< 0,25 ms (High Speed Mode)
voltage supply range +Vs	10 ... 30 VDC
current consumption max. (no load)	40 mA (@ 10 VDC)
current consumption typ.	16 mA (@ 24 VDC)
voltage drop Vd	< 2 VDC
output function	light / dark operate
output circuit	push-pull
output current	< 50 mA
short circuit protection	yes
reverse polarity protection	yes

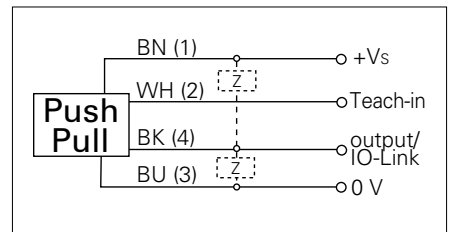
mechanical data

width / diameter	8 mm
height / length	25,1 mm
depth	15,8 mm
type	rectangular
mechanical mounting	threaded sleeves M3 (stainless steel)
housing material	plastic (ASA, PMMA)
front (optics)	PMMA
connection types	cable 4 pin, 2 m
cable characteristics	PVC / PVC 4 x 0,08 mm ²

photo



connection diagram



IO-Link



• qTeach

Diffuse sensors with background suppression

O200.GP-11210572

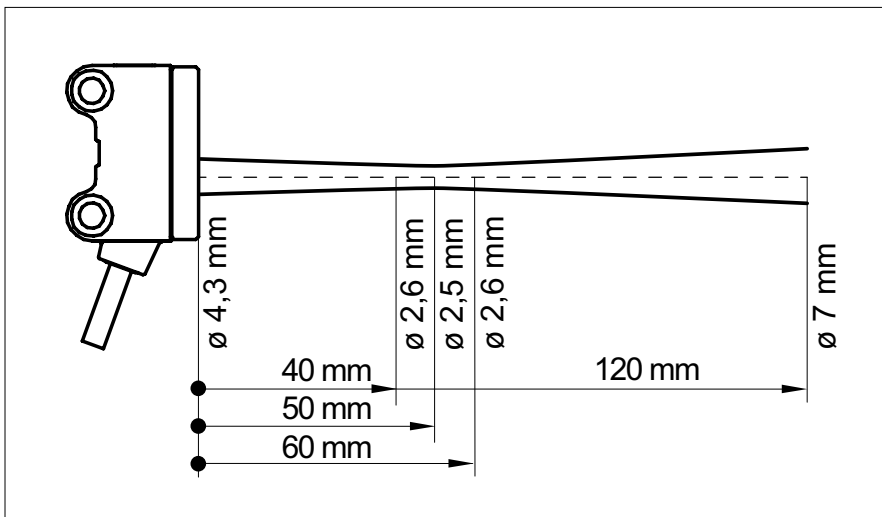
ambient conditions

operating temperature	-25 ... +50 °C
protection class	IP 67

communications interface

baud rate	230,4 kBaud (COM 3)
adjustable parameters	switching point switching hysteresis time filters LED status indicators output logic counter operation mode deactivate the sensor element Find Me function Teach-in mode
IO-Link port type	Class A
process data length	32 Bit
process data structure	Bit 0 = SSC1 (presence) Bit 2 = quality Bit 3 = alarm Bit 5 = SSC4 (counter) Bit 16-31 = 16 Bit measurement
interface	IO-Link V1.1
additional data	excess gain operating cycles device temperature
cycle time	≥ 0,6 ms

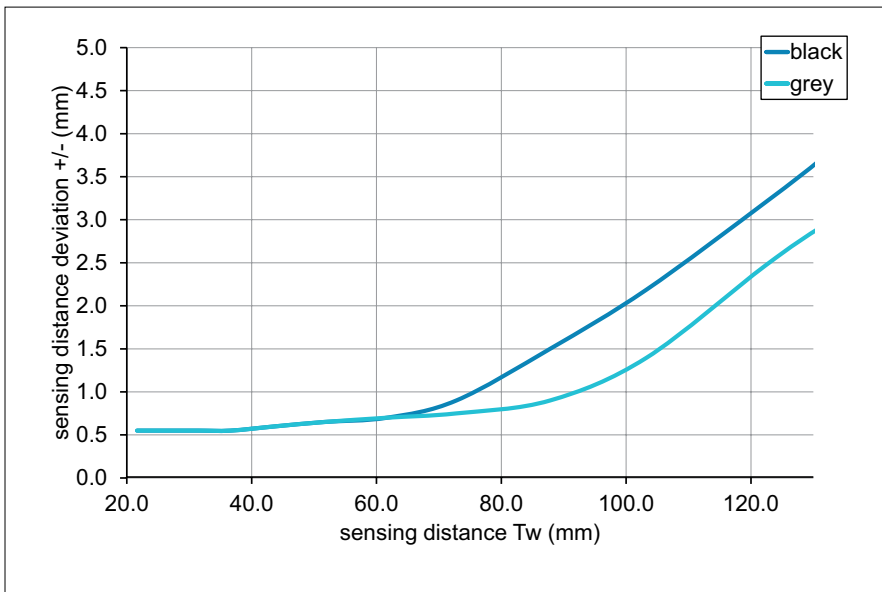
beam characteristic (typically)



Diffuse sensors with background suppression

O200.GP-11210572

sensing distance diagram



hysteresis curve

