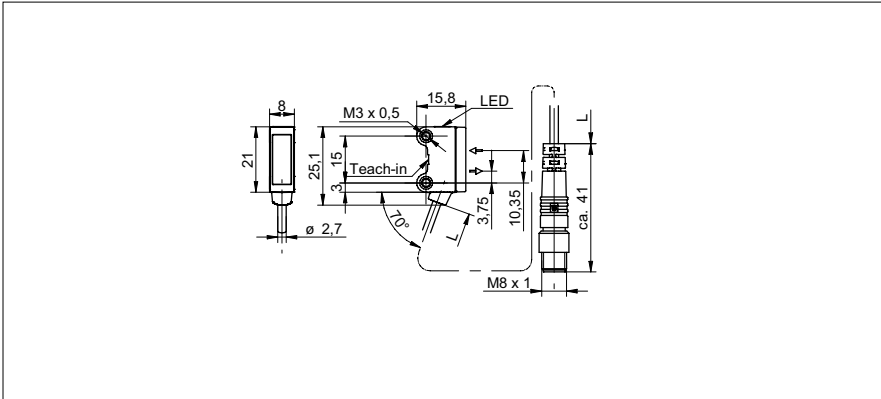


Diffuse sensors with background suppression

O200.GP-11212666

dimension drawing



general data

type	background suppression
light source	pulsed PinPoint LED
sensing distance Tw	20 ... 120 mm
sensing range Tb	3 ... 132 mm
smallest object recognizable typ.	0,25 mm at 40 mm
alignment / soiled lens indicator	flashing output indicator
power on indication	LED green
output indicator	LED yellow
sensing distance adjustment	qTeach / 1-Step Teach-in
wave length	644 nm
suppression of reciprocal influence	yes
alignment optical axis	< 1,5°

electrical data

response time / release time	< 0,5 ms
voltage supply range +Vs	10 ... 30 VDC
current consumption max. (no load)	40 mA (@ 10 VDC)
current consumption typ.	16 mA (@ 24 VDC)
voltage drop Vd	< 2 VDC
output function	light / dark operate
output circuit	NPN complementary
output current	< 50 mA
short circuit protection	yes
reverse polarity protection	yes

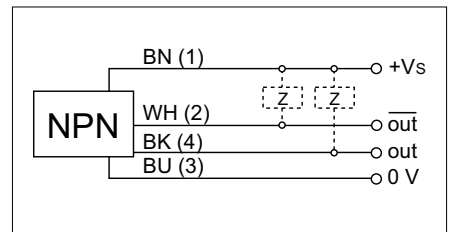
mechanical data

width / diameter	8 mm
height / length	25,1 mm
depth	15,8 mm
type	rectangular
mechanical mounting	threaded sleeves M3 (stainless steel)
housing material	plastic (ASA, PMMA)
front (optics)	PMMA
connection types	flylead connector M8 4 pin, L=200 mm
cable characteristics	PVC / PVC 4 x 0,08 mm ²

photo



connection diagram



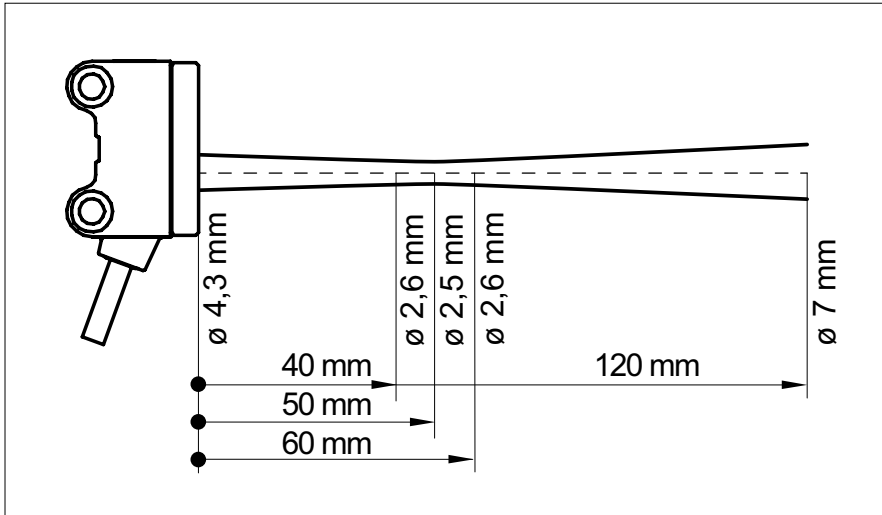
Diffuse sensors with background suppression

O200.GP-11212666

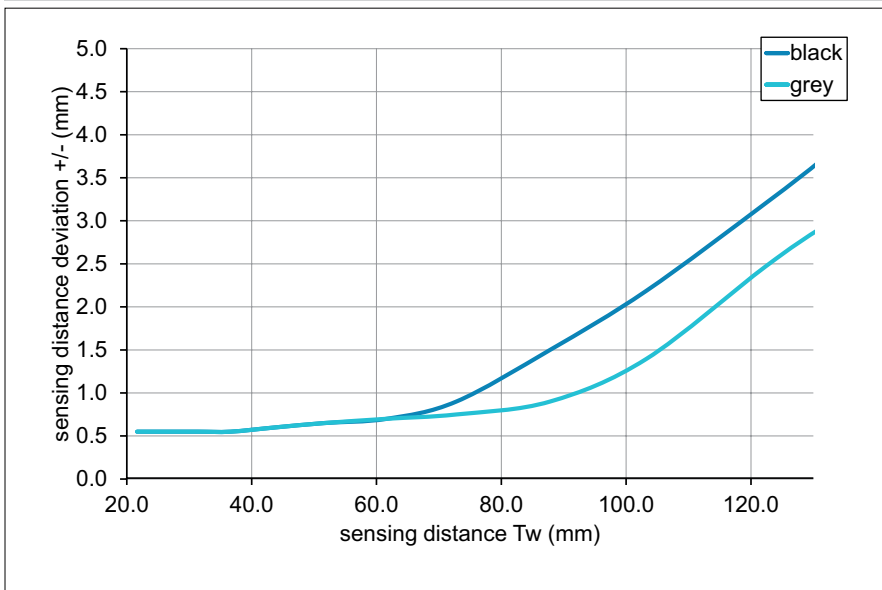
ambient conditions

operating temperature	-25 ... +50 °C
protection class	IP 67

beam characteristic (typically)



sensing distance diagram



Diffuse sensors with background suppression

O200.GP-11212666

hysteresis curve

