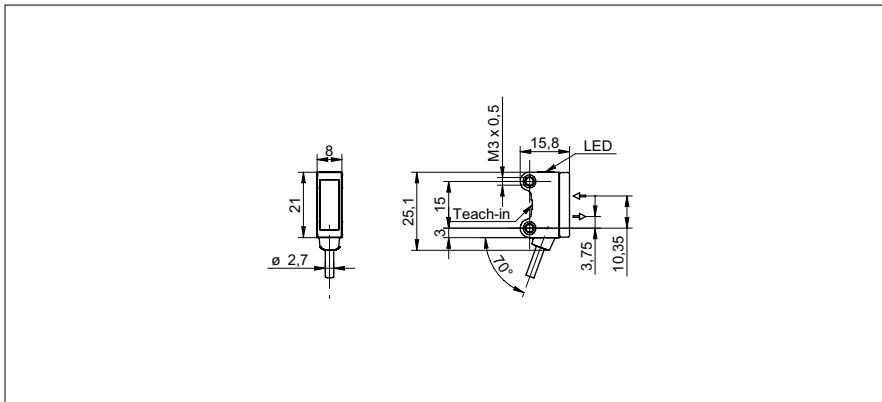


Diffuse sensors with background suppression

O200.GP-11212650

dimension drawing



general data

type	background suppression
light source	pulsed PinPoint LED
sensing distance Tw	20 ... 120 mm
sensing range Tb	3 ... 132 mm
smallest object recognizable typ.	0,25 mm at 40 mm
alignment / soiled lens indicator	flashing output indicator
power on indication	LED green
output indicator	LED yellow
sensing distance adjustment	qTeach
wave length	644 nm
suppression of reciprocal influence	yes
alignment optical axis	< 1,5°

electrical data

response time / release time	< 0,5 ms
voltage supply range +Vs	10 ... 30 VDC
current consumption max. (no load)	40 mA (@ 10 VDC)
current consumption typ.	16 mA (@ 24 VDC)
voltage drop Vd	< 2 VDC
output function	light / dark operate
output circuit	PNP complementary
output current	< 50 mA
short circuit protection	yes
reverse polarity protection	yes

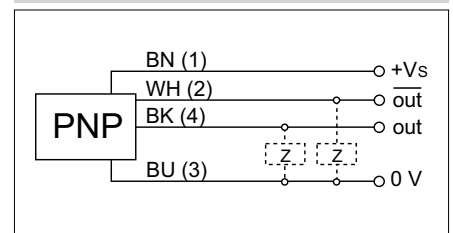
mechanical data

width / diameter	8 mm
height / length	25,1 mm
depth	15,8 mm
type	rectangular
mechanical mounting	threaded sleeves M3 (stainless steel)
housing material	plastic (ASA, PMMA)
front (optics)	PMMA
connection types	cable 4 pin, 2 m
cable characteristics	PVC / PVC 4 x 0,08 mm ²

photo



connection diagram



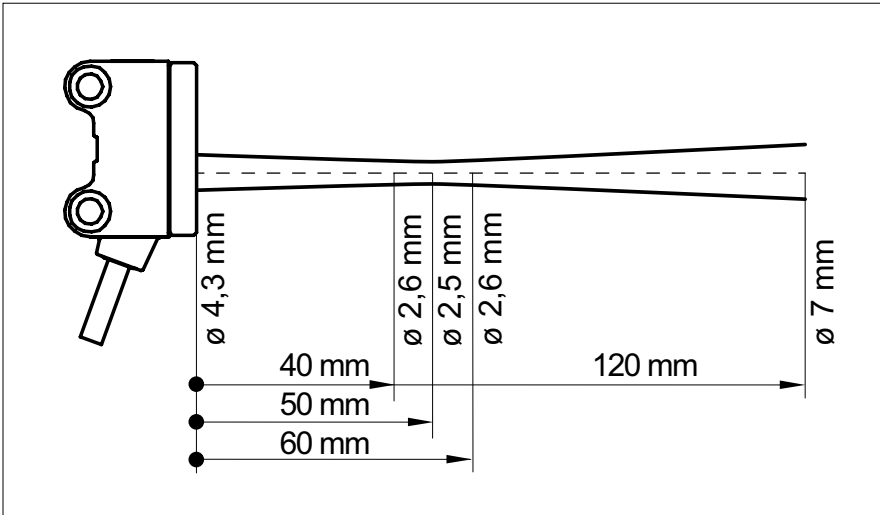
Diffuse sensors with background suppression

O200.GP-11212650

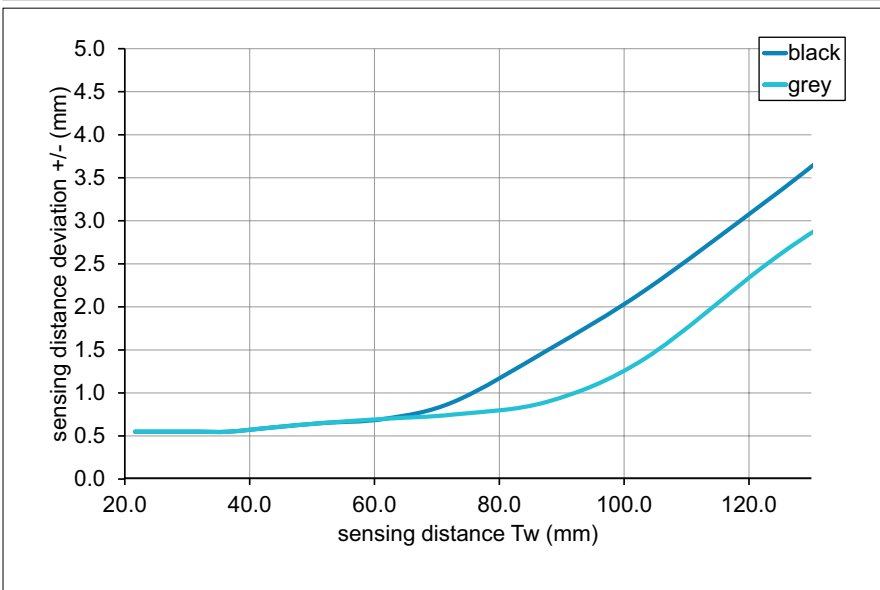
ambient conditions

operating temperature	-25 ... +50 °C
protection class	IP 67

beam characteristic (typically)



sensing distance diagram



Diffuse sensors with background suppression

O200.GP-11212650

hysteresis curve

