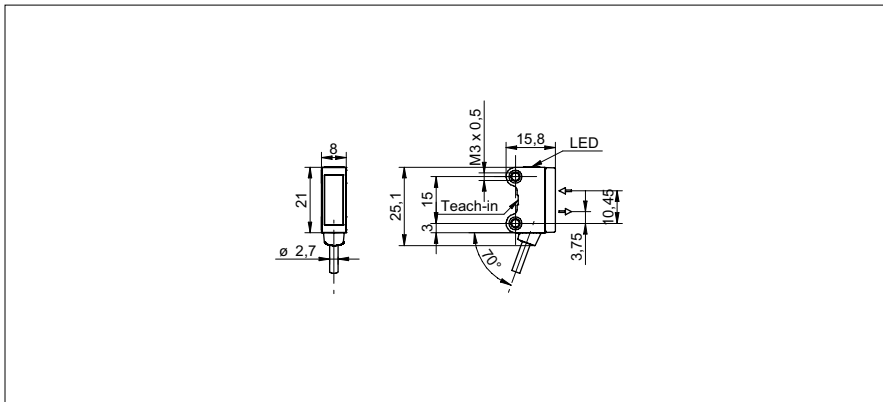


**SmartReflect Light barriers**

**O200.SP-11212661**

**dimension drawing**



**general data**

type	light barrier
version	standard object detection
light source	pulsed PinPoint LED
background position Sde	25 ... 180 mm
scanning range Sa	90% ... 85% Sde
smallest object recognizable typ.	2,5 mm
alignment / soiled lens indicator	flashing output indicator
power on indication	LED green
output indicator	LED yellow
sensing distance adjustment	qTeach
wave length	644 nm
suppression of reciprocal influence	yes
alignment optical axis	< 1,5°

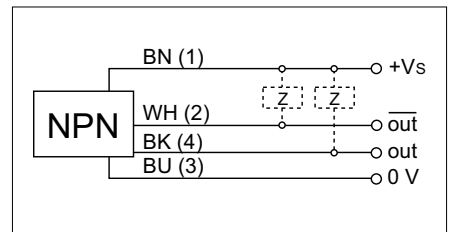
**photo**



**electrical data**

response time / release time	< 0,5 ms
voltage supply range +Vs	10 ... 30 VDC
current consumption max. (no load)	40 mA (@ 10 VDC)
current consumption typ.	16 mA (@ 24 VDC)
voltage drop Vd	< 2 VDC
output function	light / dark operate
output circuit	NPN complementary
output current	< 50 mA
short circuit protection	yes
reverse polarity protection	yes

**connection diagram**



**mechanical data**

width / diameter	8 mm
height / length	25,1 mm
depth	15,8 mm
type	rectangular
mechanical mounting	threaded sleeves M3 (stainless steel)
housing material	plastic (ASA, PMMA)
front (optics)	PMMA
connection types	cable 4 pin, 2 m
cable characteristics	PVC / PVC 4 x 0,08 mm <sup>2</sup>



**SmartReflect Light barriers**

**O200.SP-11212661**

**ambient conditions**

operating temperature	-25 ... +50 °C
protection class	IP 67

**beam characteristic (typically)**

