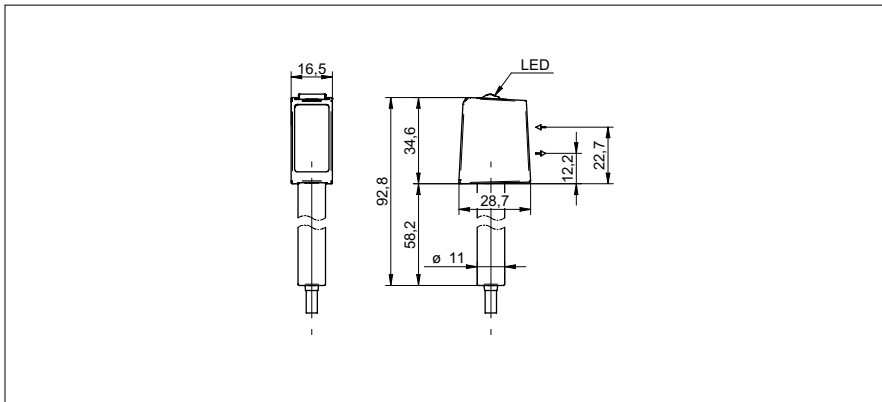


# SmartReflect Light barriers

**O300H.SL-11179007**

**dimension drawing**



**general data**

|                                     |                           |
|-------------------------------------|---------------------------|
| type                                | light barrier             |
| special type                        | hygienic design           |
| version                             | standard object detection |
| light source                        | pulsed red laser diode    |
| background position Sde             | 30 ... 250 mm             |
| scanning range Sa                   | 90% ... 85% Sde           |
| repeat accuracy                     | < 0,1 mm at 100 mm        |
| power on indication                 | LED green                 |
| light indicator                     | LED yellow                |
| sensing distance adjustment         | Teach-in and IO-Link      |
| laser class                         | 1                         |
| distance to focus                   | 400 mm                    |
| wave length                         | 656 nm                    |
| suppression of reciprocal influence | yes                       |
| alignment optical axis              | < 2°                      |
| approvals/certificates              | Ecolab                    |

**electrical data**

|                                    |                      |
|------------------------------------|----------------------|
| response time / release time       | < 0,25 ms            |
| voltage supply range +Vs           | 11 ... 30 VDC        |
| current consumption max. (no load) | 30 mA                |
| current consumption typ.           | 25 mA                |
| voltage drop Vd                    | < 2,5 VDC            |
| output function                    | light / dark operate |
| output circuit                     | push-pull            |
| output current                     | < 100 mA             |
| short circuit protection           | yes                  |
| reverse polarity protection        | yes                  |

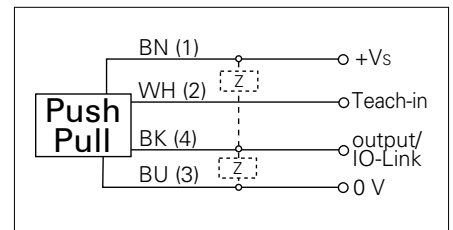
**mechanical data**

|                  |                              |
|------------------|------------------------------|
| width / diameter | 16,5 mm                      |
| height / length  | 34,6 mm                      |
| depth            | 28,7 mm                      |
| type             | rectangular                  |
| housing material | stainless steel 1.4404 (V4A) |
| front (optics)   | PMMA                         |
| connection types | cable 4 pin, 2 m             |

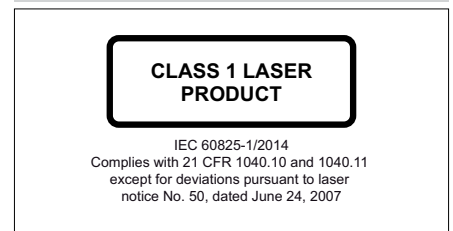
**photo**



**connection diagram**



**laser warning**



- magnetic Teach
- IO-Link: V1.1, filter functions, qTeach lock adjustable

**SmartReflect Light barriers****O300H.SL-11179007****ambient conditions**

|                       |                      |
|-----------------------|----------------------|
| operating temperature | -10 ... +60 °C       |
| protection class      | IP 68/69K & proTect+ |