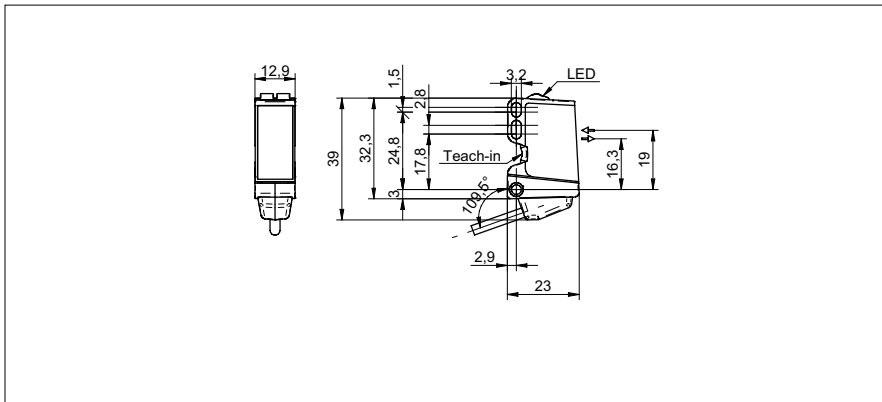


Retro-reflective sensors

O300.RL-11172800

dimension drawing



general data

| | |
|-------------------------------------|-------------------------|
| type | retro-reflective sensor |
| light source | pulsed red laser diode |
| actual range S_b | 5 m |
| nominal range S_n | 6 m |
| repeat accuracy | < 0,2 mm at 500 mm |
| polarization filter | yes |
| light indicator | LED yellow |
| power on indication | LED green |
| sensitivity adjustment | qTeach |
| laser class | 1 |
| distance to focus | parallel beam |
| wave length | 656 nm |
| suppression of reciprocal influence | yes |
| alignment optical axis | < 2° |

electrical data

| | |
|------------------------------------|----------------------|
| response time / release time | < 0,1 ms |
| voltage supply range +Vs | 11 ... 30 VDC |
| current consumption max. (no load) | 30 mA |
| current consumption typ. | 25 mA |
| voltage drop V_d | < 2,5 VDC |
| output function | light / dark operate |
| output circuit | NPN complementary |
| output current | < 100 mA |
| short circuit protection | yes |
| reverse polarity protection | yes |

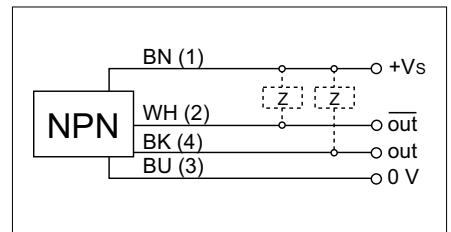
mechanical data

| | |
|------------------|---------------------|
| width / diameter | 12,9 mm |
| height / length | 32,3 mm |
| depth | 23 mm |
| type | rectangular |
| housing material | plastic (ASA, PMMA) |
| front (optics) | PMMA |
| connection types | cable 4 pin, 2 m |

photo



connection diagram



laser warning

CLASS 1 LASER PRODUCT

IEC 60825-1/2014
Complies with 21 CFR 1040.10 and 1040.11
except for deviations pursuant to laser
notice No. 50, dated June 24, 2007



• qTeach

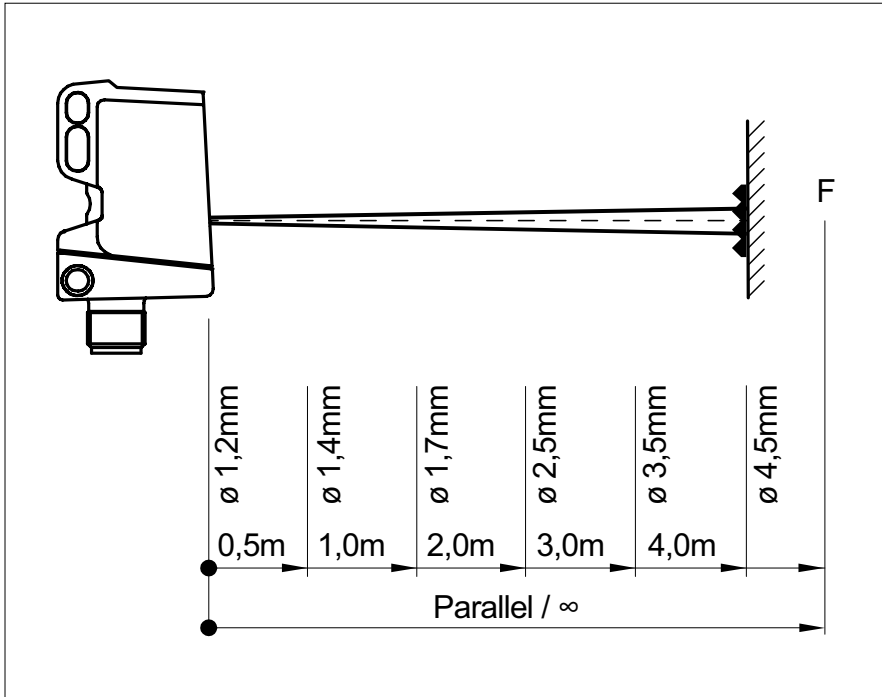
Retro-reflective sensors

O300.RL-11172800

ambient conditions

| | |
|-----------------------|----------------|
| operating temperature | -10 ... +60 °C |
| protection class | IP 67 |

beam characteristic (typically)



Retro-reflective sensors

O300.RL-11172800

