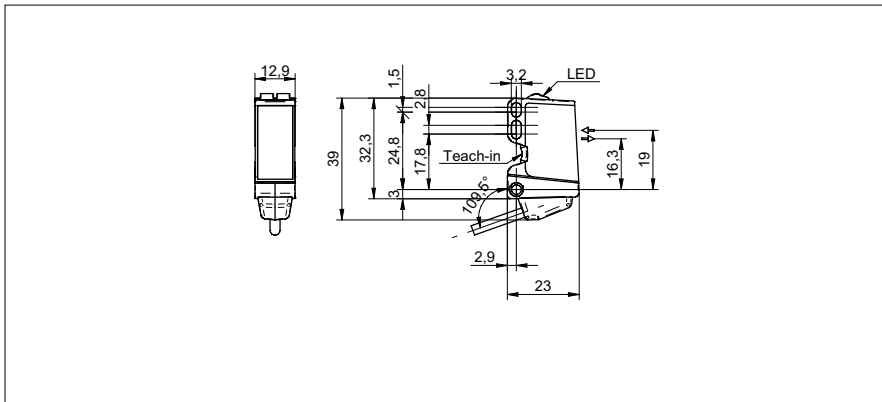


Retro-reflective sensors

O300.RL-11172802

dimension drawing



general data

type	retro-reflective sensor
light source	pulsed red laser diode
actual range S_b	5 m
nominal range S_n	6 m
repeat accuracy	< 0,2 mm at 500 mm
polarization filter	yes
light indicator	LED yellow
power on indication	LED green
sensitivity adjustment	qTeach
laser class	1
distance to focus	parallel beam
wave length	656 nm
suppression of reciprocal influence	yes
alignment optical axis	< 2°

electrical data

response time / release time	< 0,1 ms
voltage supply range +Vs	11 ... 30 VDC
current consumption max. (no load)	30 mA
current consumption typ.	25 mA
voltage drop V_d	< 2,5 VDC
output function	light / dark operate
output circuit	PNP complementary
output current	< 100 mA
short circuit protection	yes
reverse polarity protection	yes

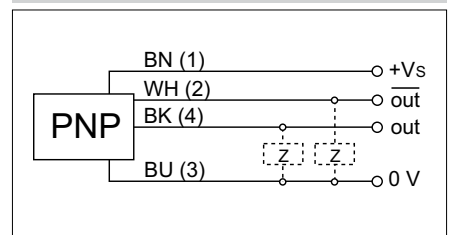
mechanical data

width / diameter	12,9 mm
height / length	32,3 mm
depth	23 mm
type	rectangular
housing material	plastic (ASA, PMMA)
front (optics)	PMMA
connection types	cable 4 pin, 2 m

photo



connection diagram



laser warning

CLASS 1 LASER PRODUCT

IEC 60825-1/2014
Complies with 21 CFR 1040.10 and 1040.11
except for deviations pursuant to laser
notice No. 50, dated June 24, 2007



• qTeach

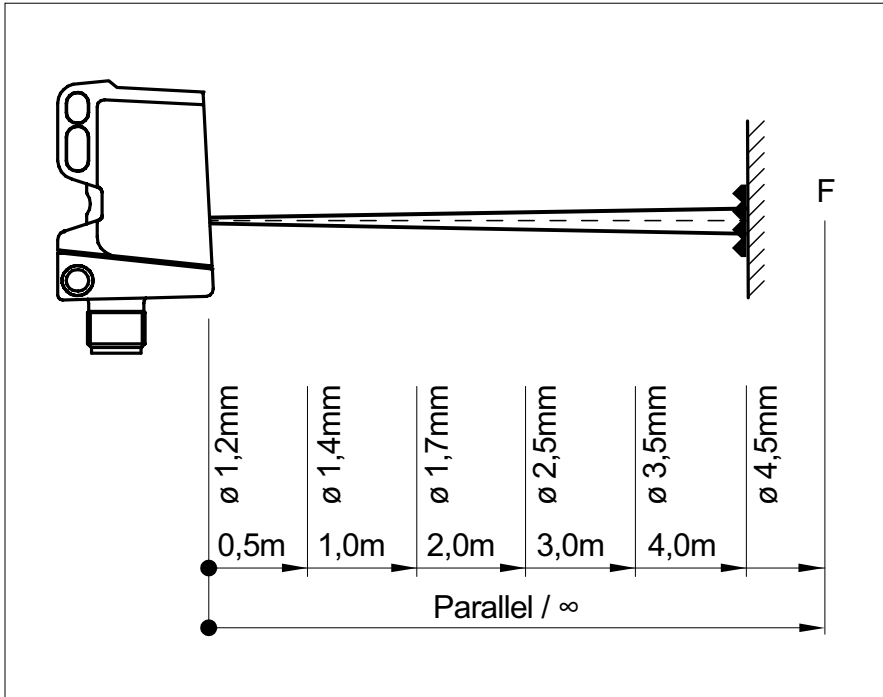
Retro-reflective sensors

O300.RL-11172802

ambient conditions

operating temperature	-10 ... +60 °C
protection class	IP 67

beam characteristic (typically)



Retro-reflective sensors

O300.RL-11172802

