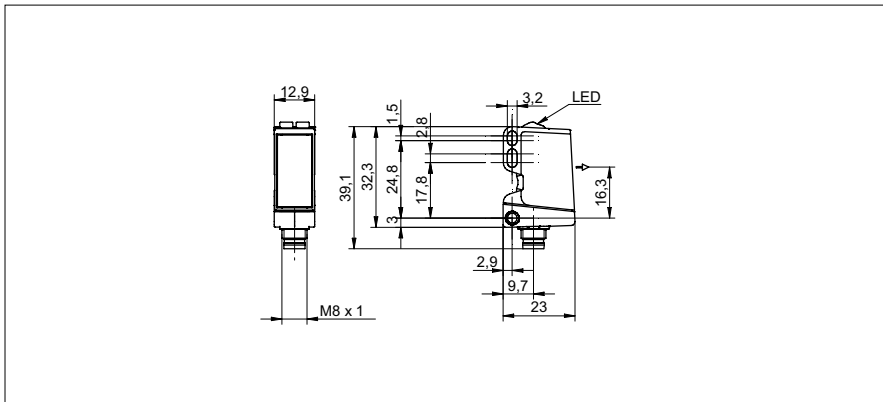


**Through beam sensors**

**O300.TL-11176845**

**dimension drawing**



**general data**

type	through beam sensor
emitter / receiver	emitter
light source	pulsed red laser diode
actual range $S_b$	40 m
nominal range $S_n$	75 m
power on indication	LED green
laser class	1
distance to focus	parallel beam
wave length	656 nm
alignment optical axis	< 2°

**electrical data**

voltage supply range +Vs	11 ... 30 VDC
current consumption max. (no load)	30 mA
current consumption typ.	25 mA
reverse polarity protection	yes

**mechanical data**

width / diameter	12,9 mm
height / length	32,3 mm
depth	23 mm
type	rectangular
housing material	plastic (ASA, PMMA)
front (optics)	PMMA
connection types	connector M8 4 pin

**ambient conditions**

operating temperature	-10 ... +60 °C
protection class	IP 67

**photo**



**connection diagram**



**laser warning**

**CLASS 1 LASER PRODUCT**

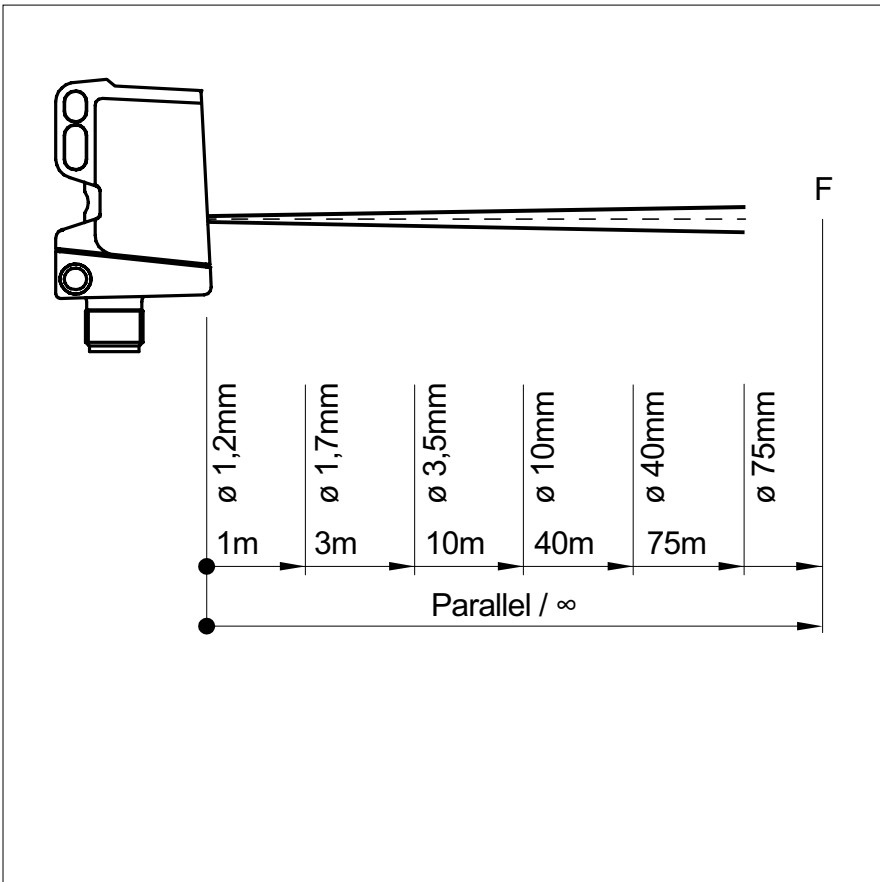
IEC 60825-1/2014  
Complies with 21 CFR 1040.10 and 1040.11  
except for deviations pursuant to laser notice No. 50, dated June 24, 2007



Through beam sensors

O300.TL-11176845

beam characteristic (typically)



excess gain curve

