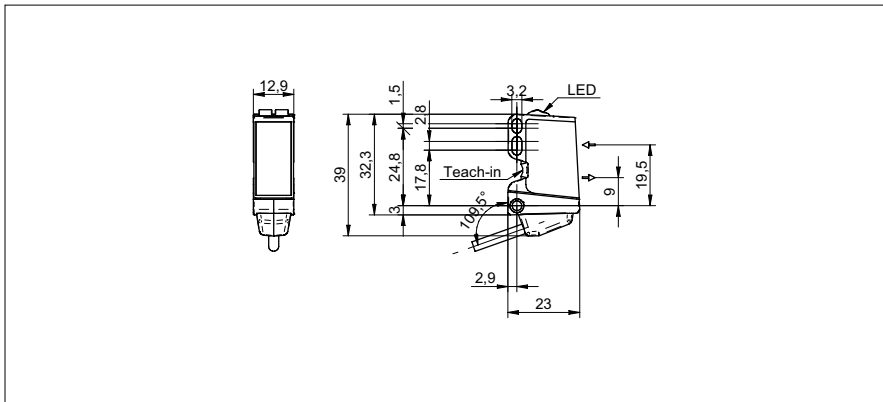


Diffuse sensors with intensity difference

O300.ZR-11128017

dimension drawing



general data

type	intensity difference
light source	pulsed red LED
sensing distance Tw	10 ... 400 mm
power on indication	LED green
light indicator	LED yellow
sensing distance adjustment	qTeach
wave length	630 nm
suppression of reciprocal influence	yes
alignment optical axis	< 2°

electrical data

response time / release time	< 1 ms
voltage supply range +Vs	10 ... 30 VDC
current consumption max. (no load)	45 mA
current consumption typ.	30 mA
voltage drop Vd	< 3 VDC
output function	light / dark operate
output circuit	push-pull
output current	< 100 mA
short circuit protection	yes
reverse polarity protection	yes

mechanical data

width / diameter	12,9 mm
height / length	32,3 mm
depth	23 mm
type	rectangular
housing material	plastic (ASA, PMMA)
front (optics)	PMMA
connection types	cable 4 pin, 2 m

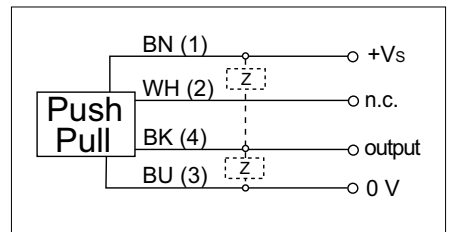
ambient conditions

operating temperature	-25 ... +60 °C
protection class	IP 67

photo



connection diagram

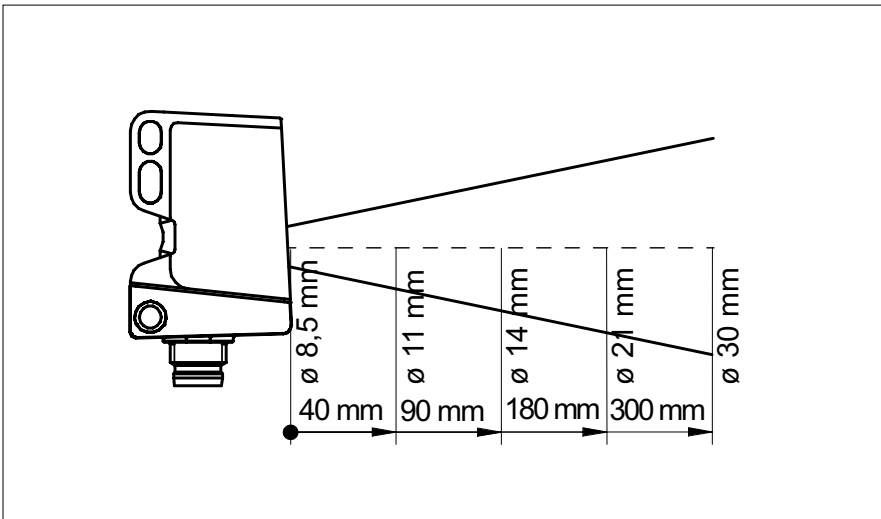


• qTeach

Diffuse sensors with intensity difference

O300.ZR-11128017

beam characteristic (typically)



relative receiving signal

