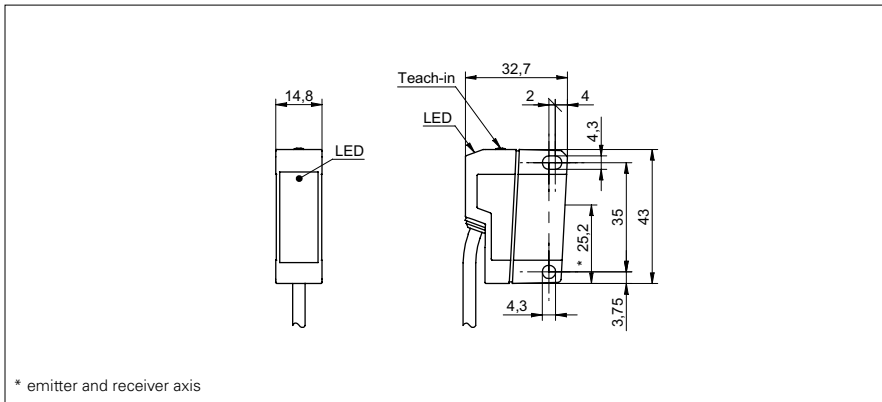


Retro-reflective sensors

OPDK 14P1902

dimension drawing



* emitter and receiver axis

general data

| | |
|------------------------|---|
| type | retro-reflective laser sensor |
| version | for transparent objects single lens optics |
| light source | pulsed red laser diode |
| actual range Sb | 4,5 m |
| nominal range Sn | 5,2 m |
| repeat accuracy | < 0,1 mm at laser focus |
| polarization filter | yes |
| light indicator | LED yellow |
| power on indication | LED green |
| sensitivity adjustment | Teach-in |
| laser class | 1 |
| distance to focus | 100 mm |
| wave length | 650 nm |

electrical data

| | |
|------------------------------------|---------------|
| response time / release time | < 0,25 ms |
| voltage supply range +Vs | 10 ... 30 VDC |
| current consumption max. (no load) | 35 mA |
| current consumption typ. | 25 mA |
| voltage drop Vd | < 2,2 VDC |
| output function | light operate |
| output circuit | PNP |
| output current | < 100 mA |
| teach value stored after power-off | volatile |
| short circuit protection | yes |
| reverse polarity protection | yes |

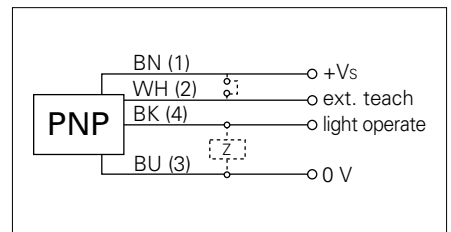
mechanical data

| | |
|------------------|---------------------|
| width / diameter | 14,8 mm |
| height / length | 43 mm |
| depth | 31 mm |
| type | rectangular |
| housing material | plastic (ASA, MABS) |
| front (optics) | PMMA |
| connection types | cable 4 pin, 2 m |

photo



connection diagram



laser warning

CLASS 1 LASER PRODUCT

IEC 60825-1/2014
Complies with 21 CFR 1040.10 and 1040.11
except for deviations pursuant to laser
notice No. 50, dated June 24, 2007



• Sn, Sb: The teach value will be lost after Power-off

Retro-reflective sensors**OPDK 14P1902****ambient conditions**

| | |
|-----------------------|----------------|
| operating temperature | -10 ... +50 °C |
| protection class | IP 67 |