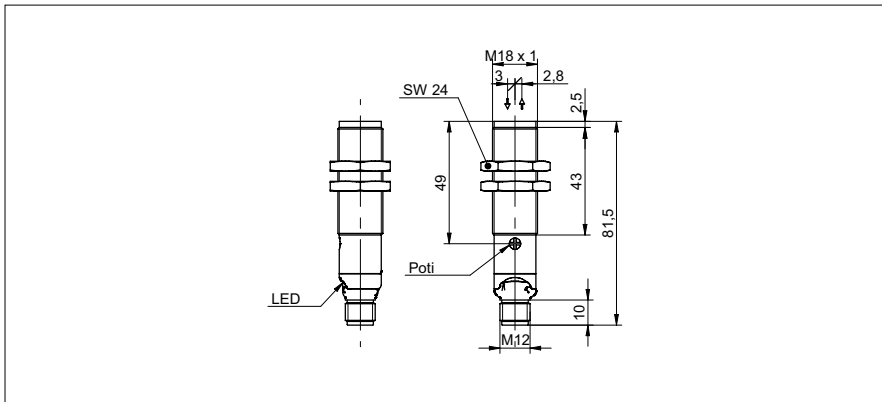


Retro-reflective sensors

OR18.RL-11157786

dimension drawing



general data

type	retro-reflective sensor
light source	pulsed red laser diode
actual range Sb	15 m
nominal range Sn	16 m
polarization filter	yes
output indicator	LED yellow
power on indication	LED green
sensitivity adjustment	potentiometer, 270°
laser class	1
distance to focus	parallel beam
wave length	630 nm
suppression of reciprocal influence	yes

electrical data

response time / release time	< 0,34 ms
voltage supply range +Vs	10 ... 30 VDC
current consumption max. (no load)	45 mA
current consumption typ.	35 mA
voltage drop Vd	< 2 VDC
output function	light / dark operate
output circuit	NPN complementary
output current	< 100 mA
short circuit protection	yes
reverse polarity protection	yes

mechanical data

width / diameter	18 mm
height / length	81,5 mm
type	cylindrical threaded
housing material	brass nickel plated
front (optics)	PMMA
connection types	connector M12 4 pin

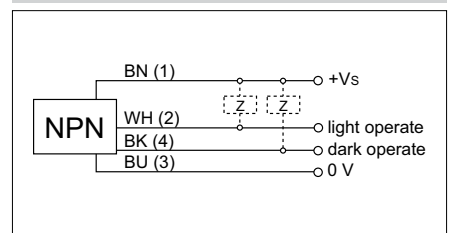
ambient conditions

operating temperature	-10 ... +55 °C
protection class	IP 67

photo



connection diagram



laser warning

CLASS 1 LASER PRODUCT

IEC 60825-1/2014
Complies with 21 CFR 1040.10 and 1040.11
except for deviations pursuant to laser
notice No. 50, dated June 24, 2007

