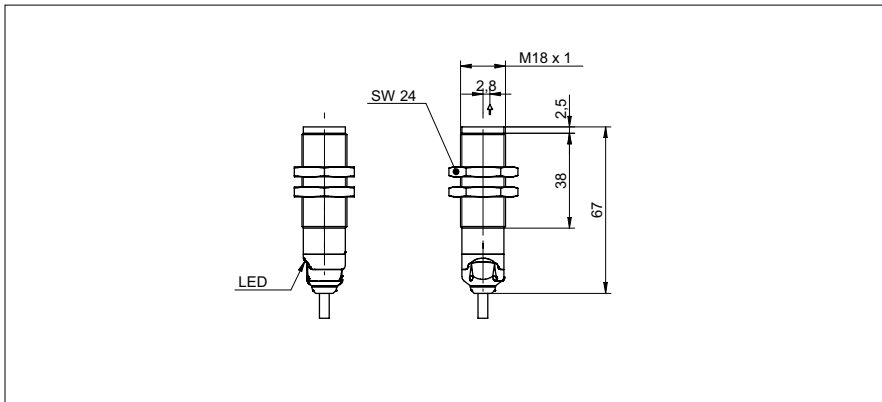


Through beam sensors

OR18.TL-11157840

dimension drawing



general data

type	through beam sensor
emitter / receiver	emitter
light source	pulsed red laser diode
actual range S_b	55 m
nominal range S_n	60 m
power on indication	LED green
emission power adjustment	no
laser class	1
distance to focus	parallel beam
wave length	630 nm

electrical data

voltage supply range +Vs	10 ... 30 VDC
current consumption max. (no load)	45 mA
current consumption typ.	35 mA
reverse polarity protection	yes

mechanical data

width / diameter	18 mm
height / length	67 mm
type	cylindrical threaded
housing material	brass nickel plated
front (optics)	PMMA
connection types	cable 4 pin, 2 m

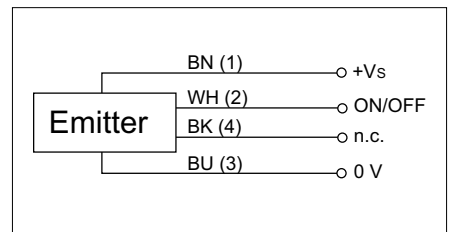
ambient conditions

operating temperature	-10 ... +55 °C
protection class	IP 67

photo



connection diagram



laser warning

CLASS 1 LASER PRODUCT

IEC 60825-1/2014
Complies with 21 CFR 1040.10 and 1040.11
except for deviations pursuant to laser
notice No. 50, dated June 24, 2007

