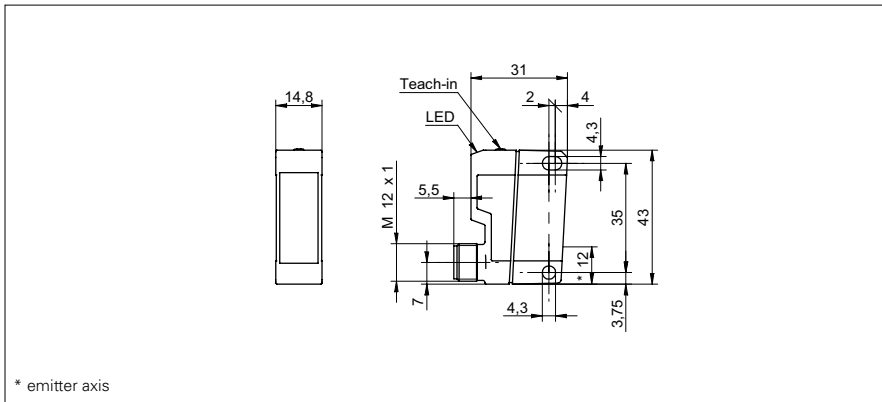


Diffuse sensors with intensity difference

OZDK 14N1901/S14

dimension drawing



* emitter axis

general data

type	intensity difference
light source	pulsed red laser diode
sensing distance Tw	20 ... 300 mm
repeat accuracy	< 0,2 mm at laser focus
alignment / soiled lens indicator	flashing light indicator
power on indication	LED green
light indicator	LED yellow
sensitivity adjustment	Teach-in
laser class	2
distance to focus	115 mm
wave length	650 nm

electrical data

response time / release time	< 0,15 ms
voltage supply range +Vs	10 ... 30 VDC
current consumption max. (no load)	35 mA
current consumption typ.	25 mA
voltage drop Vd	< 2,2 VDC
output function	light operate
output circuit	NPN
output current	< 100 mA
short circuit protection	yes
reverse polarity protection	yes

mechanical data

width / diameter	14,8 mm
height / length	43 mm
depth	31 mm
type	rectangular
housing material	plastic (ASA, MABS)
front (optics)	PMMA
connection types	connector M12 4 pin

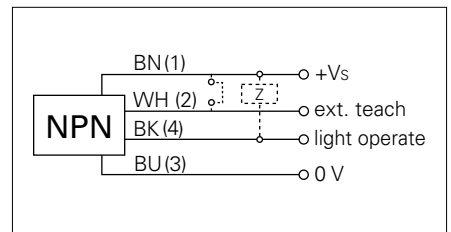
ambient conditions

operating temperature	-10 ... +50 °C
protection class	IP 67

photo



connection diagram



laser warning

