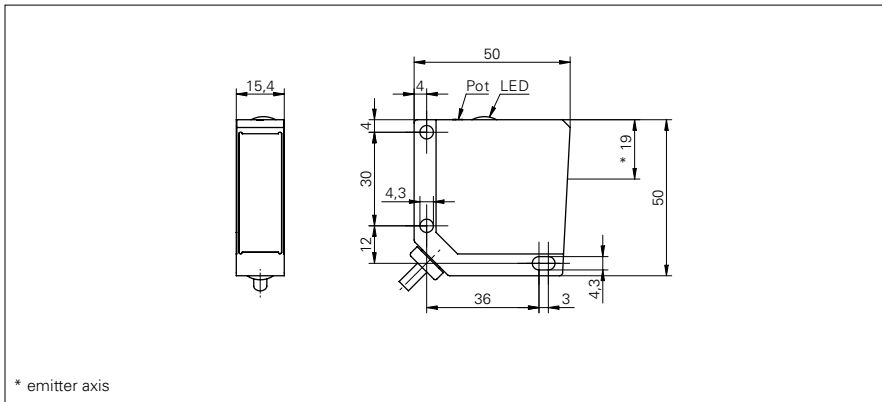


**Diffuse sensors with intensity difference**

**OZDM 16P1001**

**dimension drawing**



**general data**

type	intensity difference
light source	pulsed red laser diode
sensing distance Tw	0 ... 250 mm
optimum operating distance	40 ... 80 mm
detectable remission difference (on grey)	> 8 %
repeat accuracy	< 0,1 mm at laser focus
output indicator	LED yellow
sensitivity adjustment	potentiometer, 14 turn
laser class	1
distance to focus	80 mm
wave length	675 nm

**electrical data**

response time / release time	< 0,05 ms
voltage supply range +Vs	12 ... 30 VDC
current consumption max. (no load)	65 mA
current consumption typ.	60 mA
voltage drop Vd	< 2 VDC
output function	light operate
output circuit	PNP
output current	< 200 mA
short circuit protection	yes
reverse polarity protection	yes

**mechanical data**

width / diameter	15,4 mm
height / length	50 mm
depth	50 mm
type	rectangular
housing material	die-cast zinc
front (optics)	glass
connection types	cable 3 pin, 2 m

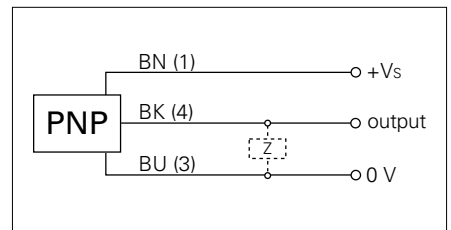
**ambient conditions**

operating temperature	-10 ... +50 °C
protection class	IP 67

**photo**



**connection diagram**



**laser warning**

**CLASS 1 LASER PRODUCT**

IEC 60825-1:2014  
Complies with 21 CFR 1040.10 and 1040.11  
except for deviations pursuant to laser notice No. 50, dated June 24, 2007

