

Load cell with amplifier DLRx L002

Features

- Voltage (DLRU) or current output (DLRI)
- Compact dimensions
- For compression
- Protection class IP 65
- Stainless steel



Technical Data

Standard capacities	0...500 N 0...1000 N 0...2000 N	0...5000 N 0...10000 N
Output signal at FSR	DLRU 0...10 V DLRI 4...20 mA	
Linearity	0,5% FS	
Hysteresis	0,5% FS	
Non-repeatability	< 0,1% FS	
Creep error	< 0,15% FS (after 30 min. with FS)	
Zero balance	DLRU < 5 mV DLRI < 8 µA	
Reset-Input active	5...33 VDC < 2 mA	
Reset-Input inactive	< 1 VDC	
Reset-Pulse	> 1 ms	
Reset time	< 5 ms	
Switching frequency	1000 Hz	
Signal polarity	DLRU unipolar (compression +10 V) DLRI unipolar (compression 20 mA)	
Noise	DLRU (0...5 kHz) < 5 mVpp DLRI (0...5 kHz) < 8 µApp	
Compensated temperature range	0...+70 °C	
Operating temperature range	-20...+70 °C	
Storage temperature range	-40...+85 °C	
Temperature effect zero	< ±0,02% /K	
Temperature effect span	< ±0,03% /K	
Bridge resistance	Full bridge 350 Ω	
Isolation resistance	> 3 GΩ	
Excitation	DLRU 18...33 V DLRI 14...33 V	
Supply current	DLRU < 60 mA DLRI < 90 mA	
- static load	200% FS	
- dynamic load	100% FS	
Breaking load	320% FS	
Protection class	IP 65	

FS = Full scale output

Technical Data

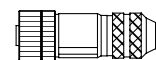
Cable	5 m, shielded, PUR, (between amplifier and sensor)
Load cell material	1.4542

Order Code

DLR	L002	B	CO/CL10
Output	Measuring range	Load transmission	Cable length
U Voltage output 0...10 V	150 0...500 N	CO Compression (see drawing)	CL10 10 m cable length (5 m standard)
I Current output 4...20 mA	210 0...1000 N	CO Compression (see drawing)	
	220 0...2000 N		
	250 0...5000 N		
	310 0...10000 N		
	Combined error		
	B 0,3%		
	Connection		
	14C 5-pin connector series M12 x 1		

Accessories (not included in delivery)

Cable between the amplifier and the control unit.



Series 713

Connector female, control side, 5-pin, Part No. 10135462

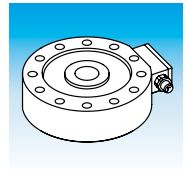


M12 x 1

Connector female with cable, control side, 5-pin
ESG 34CH0200G 5-pin (shielded) 2 m, PUR,
(Part No. 11046264)

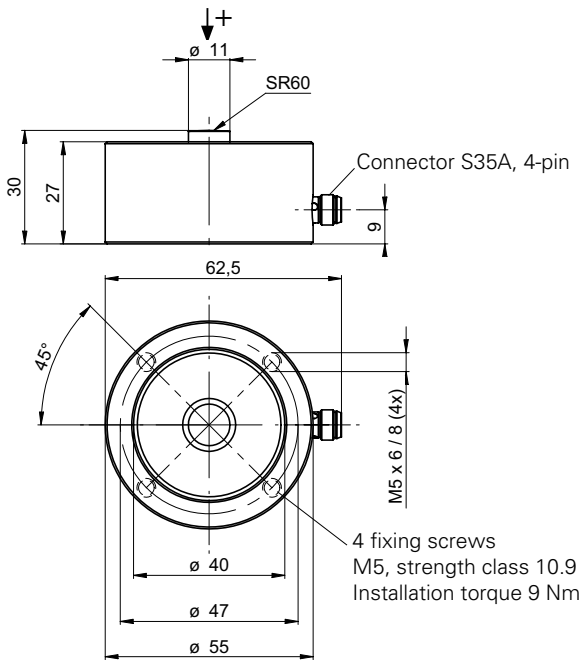
ESG 34CH0500G 5-pin (shielded) 5 m, PUR,
(Part No. 11046266)

ESG 34CH1000G 5-pin (shielded) 10 m, PUR,
(Part No. 10155587)

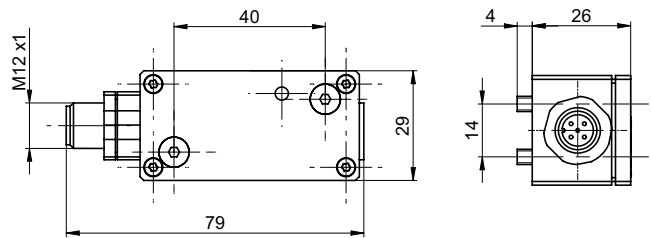


Dimensions (mm)

Load cell



Amplifier DABx AD2T



Electrical Connection

DLRU

14C



Pin	
1	+Vs
2	-V _{OUT}
3	GND
4	+V _{OUT}
5	Reset
Housing	\perp

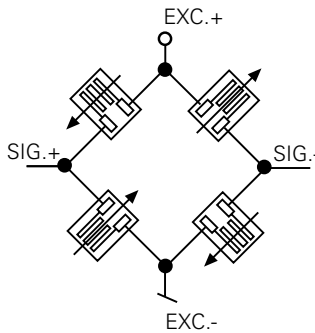
DLRI

14C



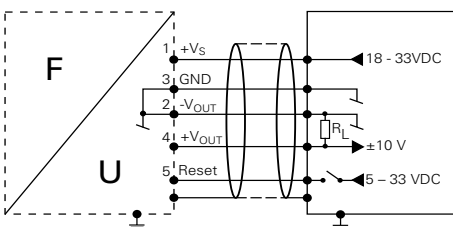
Pin	
1	+Vs
2	n.c.
3	GND
4	+I _{OUT}
5	Reset
Housing	\perp

Bridge Circuit



Wiring

DLRU



DLRI

