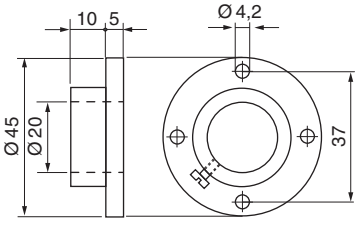
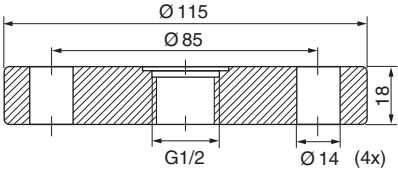
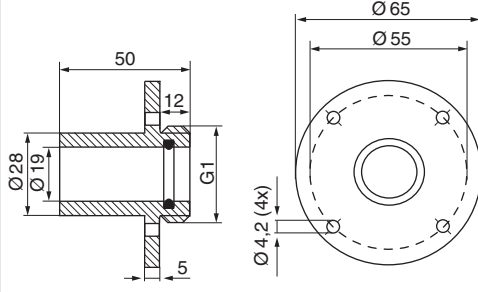
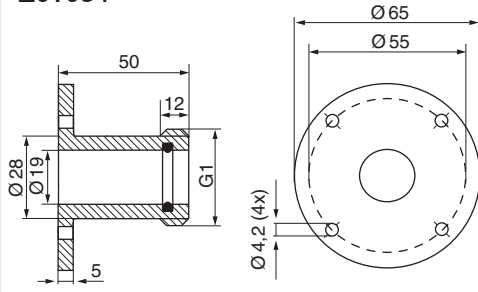
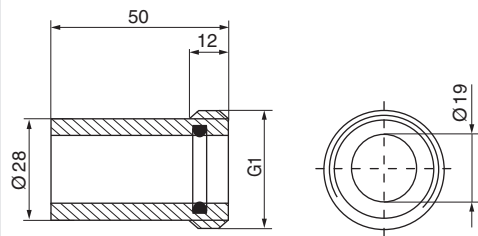


Product section 1

TYPE	ID-NO.	DIMENSIONS	DESIGN
Flange - Ø20	Z01106		<p>Plastic - flange with drilled hole Ø20 mm</p> <p>for sensors type LN 520</p>
Flange DN25/PN40	Z01001		<p>Flange AISI 316 Ti (1.4571) EN 1092-1/05 A (DIN 2527) with central thread G1/2</p> <p>for sensors type ST... with G1/2</p>
A501	Z01033		<p>Thread sleeve of brass, nickel-plated L=50 mm, G1</p> <p>for sensors type LN...</p>
A502	Z01034		<p>Thread sleeve of brass, nickel-plated L=50 mm, G1</p> <p>for sensors type LN...</p>
A503	Z01035		<p>Welding sleeve of FE 360 B (1.0037), L=50 mm, G1</p> <p>for sensors type LN...</p>