

**ITEM 090152 NZ2PS-511L060**

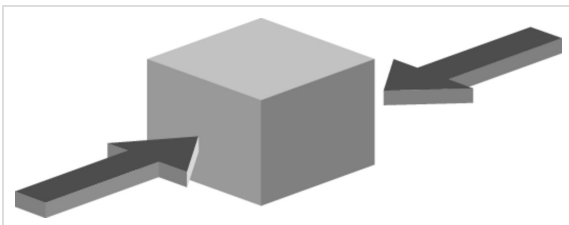
Description	Technical data	Accessories	Downloads
-------------	----------------	-------------	-----------



**Features**

- › Steel roller  $\varnothing$  18 mm
- › Plug connector SR6
- › LED indicator

**Approach direction**



- › Figure  
Horizontal

**Switching direction**

- › Right, left or both sides

**Lever arm adjustment**

Lever arm length can be adjusted from 28 mm to 78 mm in steps of 12.5 mm.

## LED function display

A function display is available for the following voltage range:

› AC/DC 12-60 V red

## Switching element

**511** Snap-action switching contact 1 NC $\rightarrow$  + 1 NO

## Approvals



## Mechanical values and environment

Housing material	Anodized die-cast alloy
Weight	Net 0,3 kg
Ambient temperature	-25 ... 80 °C
Degree of protection	IP65
Mechanical life	30 x 10 <sup>6</sup>
Contact material	Silver alloy, gold flashed
Switching principle	Snap-action switching contact <sup>[1]</sup>
Installation position	Any
Number of door position positively driven contacts	1
Number of NO contacts	1
Connection	1 x Plug connector SR6 <sup>[2]</sup>
Approach speed	max. 0,5 ... 30 m/min
Actuating element	Plain bearing metal
	Lever arm adjustable <sup>[3]</sup>
Actuating force	min.15 N

## Electrical connection ratings

Rated thermal current I <sub>th</sub>	6 A
Utilization category according to EN 60947-5-1	
	AC-15 6A 230V
	DC-13 6A 24V

Short circuit protection according to IEC 60269-1		
	(Fuse)	6A gG
Rated insulation voltage U <sub>i</sub>		250 V
Rated impulse withstand voltage U <sub>imp</sub>		2,5 kV
Switching current		
	Min. at DC 24V	10 mA
Display module		
	AC/DC	12 ... 60 V 60 V LED red

### Reliability values acc. to EN ISO 13849-1

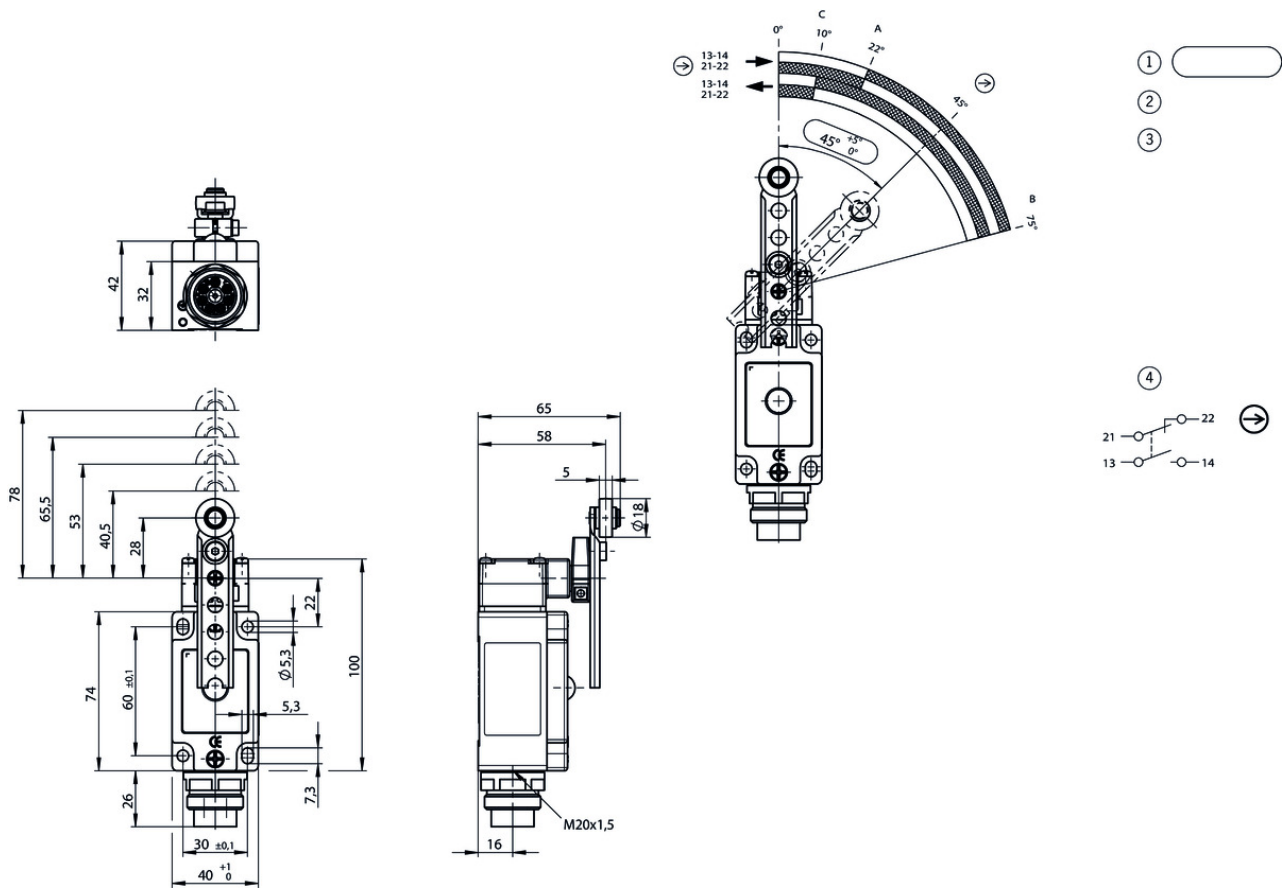
	<b>Monitoring of the safety guard position</b>
B10 <sub>D</sub>	20 x 10 <sup>6</sup>

[1] Contact closing time <4 contact bounce time <3

[2] 6-pin + PE

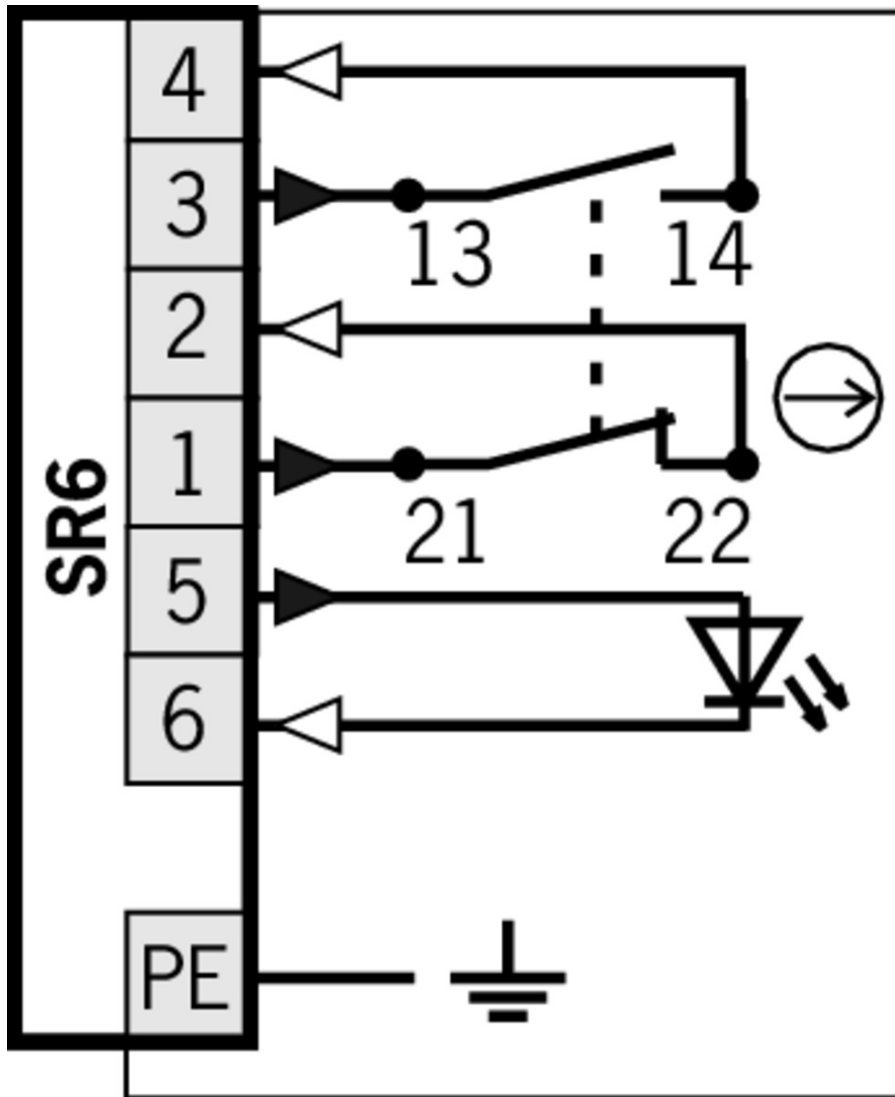
[3] d roller = 18 mm, length 28 - 78 mm

## Dimension drawing



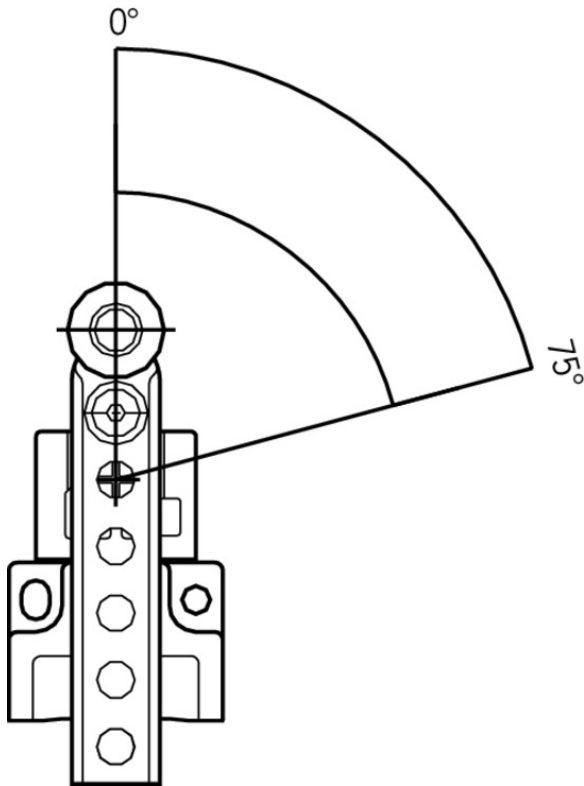
## Legende

- 1 Positive opening function is dependent on maintaining this distance.
  - 2 Actuator (dog) must be positively mounted on the machine.
  - 3 Switch can be replaced only with the same type.
- A = Operating point  
 B = End position  
 C = Reset point
- 4 Switching element in free position: Switching element ES511 snap-action contact element 1  
 NO contact + 1 NC contact, NC contact positive opening

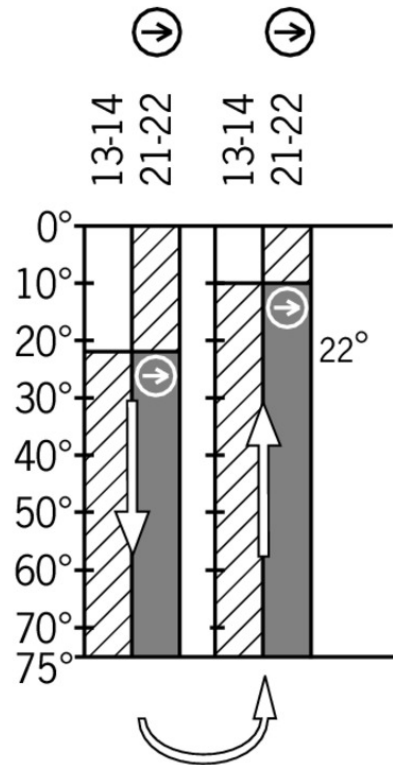


## Travel diagram




**NZ...PS**  
**NZ...PB**



**511**



## Legende

-  Contacts closed
-  Contacts open
-  Contacts positively driven

## Connection material

-  Connection cable with plug connector SR6, 5m, angled



**077638** C-R22F07-07X1,0PU05,0-MA-077638

### Features

- › Female plug SR6, 6-pin + PE
- › Angled plug connector
- › PUR cable
- › Cable length 5 m
- › With flying lead

-  Plug connector SR6

**013176** SR6EF

- ✓ Features
    - › Crimp contacts
    - › Coding shells
- 

**024999** SR6WFPG11R

- ✓ Features
    - › Socket crimp contacts
    - › 6-pin+PE
    - › Contact carrier can be adjusted in 7 outlet directions
- 

**013178** SR6K

- ✓ Features
    - › Coding for plug connector SR6
    - › Coding shells
- 

**087180** SR6AM2-M20

- ✓ Features
    - › Crimp contacts
    - › Male socket
- 

## ✓ Connection cable with plug connector SR6, 5m

**077632** C-M26F07-07X1,0PU05,0-MA-077632

- ✓ Features
    - › Female plug SR6, 6-pin + PE
    - › Straight plug connector
    - › PUR cable
    - › Cable length 5 m
    - › With flying lead
- 

## ✓ Connection cable with plug connector SR6, 10m

**077633** C-M26F07-07X1,0PU10,0-MA-077633

- ✓ Features
    - › Female plug SR6, 6-pin + PE
    - › Straight plug connector
    - › PUR cable
    - › Cable length 10 m
    - › With flying lead
- 

## ✓ Connection cable with plug connector SR6, 10m, angled

**077639** C-R22F07-07X1,0PU10,0-MA-077639

- ✓ Features
    - › Female plug SR6, 6-pin + PE
    - › Angled plug connector
    - › PUR cable
    - › Cable length 10 m
    - › With flying lead
-

▼ Connection cable with plug connector SR6, 15m



**077634** C-M26F07-07X1,0PU15,0-MA-077634

▼ Features

- › Female plug SR6, 6-pin + PE
- › Straight plug connector
- › PUR cable
- › Cable length 15 m
- › With flying lead

▼ Connection cable with plug connector SR6, 15m, angled



**077640** C-R22F07-07X1,0PU15,0-MA-077640

▼ Features

- › Female plug SR6, 6-pin + PE
- › Angled plug connector
- › PUR cable
- › Cable length 15 m
- › With flying lead

▼ Connection cable with plug connector SR6, 20m



**098128** C-M26F07-07X1,0PU20,0-MA-098128

▼ Features

- › Female plug SR6, 6-pin + PE
- › Straight plug connector
- › PUR cable
- › Cable length 20 m
- › With flying lead

## Function expansion

▼ LED function display NZ



**029220** NGLE060RT

## Instructions

▼ Betriebsanleitung Sicherheitsschalter NZ.H/P













**Doc. no.**   **Version**   **Language**   **Download**



Betriebsanleitung Sicherheitsschalter NZ.H/P Manual de instrucciones Interruptores de seguridad NZ.H/P Mode d'emploi Interrupteur de sécurité NZ.H/P Istruzioni di impiego Finecorsa di sicurezza NZ.H/P Operating Instructions Safety Switch NZ.H/P	074550	11-12/16	    	 2.1 MB
Instrukcja obsługi Wyłącznik bezpieczeństwa NZ.H/P	074550	11-12/16		 0.5 MB
Инструкция по эксплуатации Предохранительный выключатель NZ.H/P	074550	11-12/16		 0.6 MB
Návod na prevádzku Bezpečnostný spínač NZ.H/P	074550	11-12/16		 0.5 MB

## Catalogs

- Sicherheitsschalter mit Metallgehäuse Safety Switches with Metal Housing Bezpečnostní spínače s kovovým pouzdem Interrupteurs de sécurité avec boîtier métallique 金属壳体 的安全开关 Interruptores de seguridad con carcasa metálica

	Doc. no.	Version	Language	Download
Sicherheitsschalter mit Metallgehäuse	100319	11-03/18		 7.9 MB
Interrupteurs de sécurité avec boîtier métallique	100676	11-03/18		 7.9 MB
Interruptores de seguridad con carcasa metálica	104856	11-03/18		 14.0 MB
Safety Switches with Metal Housing	100369	11-03/18		 7.9 MB
Bezpečnostní spínače s kovovým pouzdem	121650	11-03/18		 7.9 MB
金属壳体 的安全开关	102453	11-03/18		 8.2 MB

## Declaration of conformity

- EU prohlášení o shodě

	Doc. no.	Version	Language	Download
EU-Konformitätserklärung Declaración UE de conformidad Déclaration UE de conformité Dichiarazione di conformità EU declaration of conformity	2077153	25-02/17	    	 0.3 MB
EU prohlášení o shodě EU-overensstemmelseserklæring Δήλωση συμμόρφωσης της ΕΕ EU-vaatimustenmukaisuusvakuutus EU-típusbizonyítvány EU-conformiteitsverklaring Deklaracja zgodności UE Declaração de Conformidade UE Declarația de conformitate UE EÚ vyhlásenie o zhode	2077153	25-02/17	        	 0.5 MB

## CAD data

CAD data for this item on TraceParts