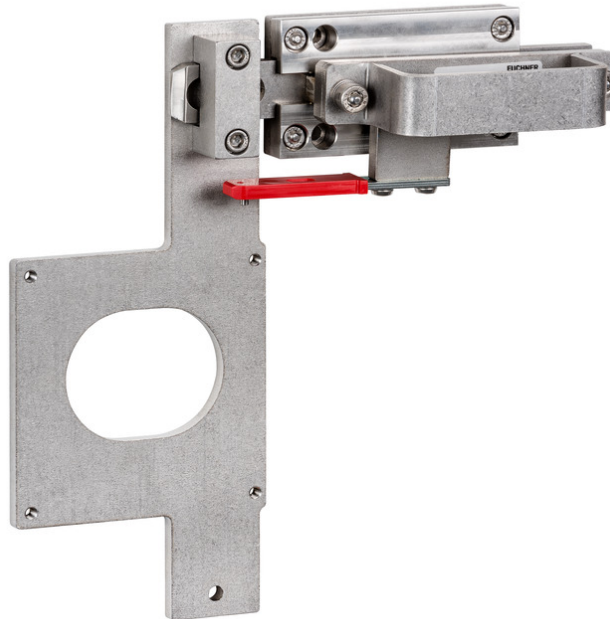


ITEM 079798 RIEGEL TZ-A-NIRO

Description	Technical data	Accessories	Downloads
-------------	----------------	-------------	-----------



Features

- › Stainless steel bolt
- › For doors hinged on the right
- › Can be locked in open position with padlocks
- › Actuator and switch bracket included

Advantages

- › Robust construction
- › Easily fitted to standard aluminum profiles and machine covers by screw connection
- › No additional door handle necessary

Special features

- › Easy to use

Version in stainless steel

- › Suitable for use in the chemical and foodstuff industries
- › Screw material stainless steel

- › Handle material polypropylene
- › Slide strip material polyethylene

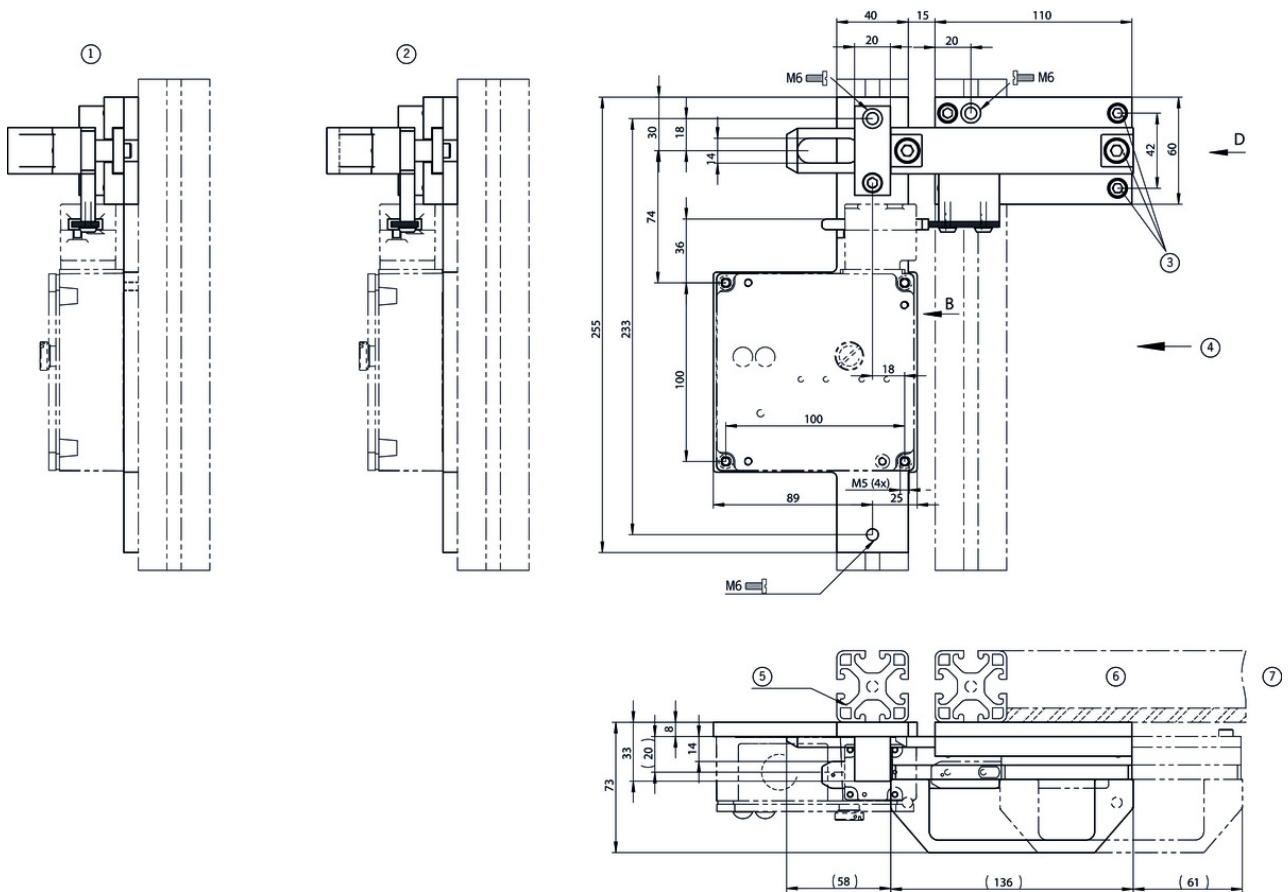
Mechanical values and environment

Material	Handle	Plastic
	Guide strips	Plastic
	Base plate	Stainless steel
	Switch bracket	Stainless steel
Weight	Net	2,5 kg
Escape release		No
Number of safety switches that can be fitted		1

Miscellaneous

Detent mechanism	No
------------------	----

Dimension drawing



Legende

- 1 View B
- 2 View D
- 3 Screw locked
- 4 Safety switch TZ approach direction A
- 5 Safety guard frame (40x40)
- 6 Door hinged on the right
- 7 Attention! Bolt is not allowed to be used in conjunction with an escape release!

Spare parts

- ✓ Replacement handle for EUCHNER bolts



093500 RIEGELGRIFF/V5

✓ Features

- › Material: plastic, reinforced polypropylene (PP)
- › Color: black, mat
- › Temperature resistance up to 100 °C
- › Packaging unit 5 pieces

Function expansion

▼ Adapter NZ/TZ 45/30



079033 ADAPTER NZ/TZ 45/30

▼ Features

- › The adapter NZ/TZ 45/30 is used to compensate for different profiles, doors/frame 45/30

Catalogs

- ▼ Sicherheitsschalter mit Metallgehäuse Safety Switches with Metal Housing Bezpečnostní spínače s kovovým pouzdem Interrupteurs de sécurité avec boîtier métallique 金属壳体 的安全开关 Interruptores de seguridad con carcasa metálica

	Doc. no.	Version	Language	Download
Sicherheitsschalter mit Metallgehäuse	100319	11-03/18		7.9 MB
Interrupteurs de sécurité avec boîtier métallique	100676	11-03/18		7.9 MB
Interruptores de seguridad con carcasa metálica	104856	11-03/18		14.0 MB
Safety Switches with Metal Housing	100369	11-03/18		7.9 MB
Bezpečnostní spínače s kovovým pouzdem	121650	11-03/18		7.9 MB
金属壳体 的安全开关	102453	11-03/18		8.2 MB

CAD data

CAD data for this item on TraceParts