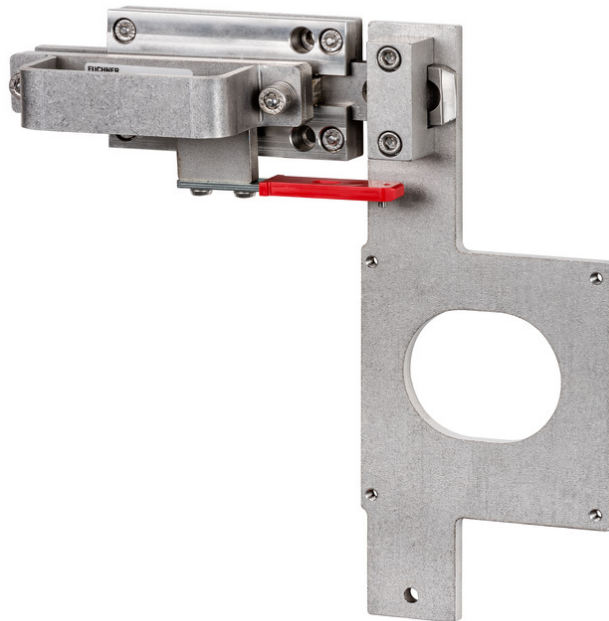


## ITEM 079799 RIEGEL TZ-C-NIRO

Description	Technical data	Accessories	Downloads
-------------	----------------	-------------	-----------



### Features

- › Stainless steel bolt
- › For doors hinged on the left
- › Can be locked in open position with padlocks
- › Actuator and switch bracket included

### Advantages

- › Robust construction
- › Easily fitted to standard aluminum profiles and machine covers by screw connection
- › No additional door handle necessary

### Special features

- › Easy to use

### Version in stainless steel

- › Suitable for use in the chemical and foodstuff industries
- › Screw material stainless steel

- › Handle material polypropylene
- › Slide strip material polyethylene

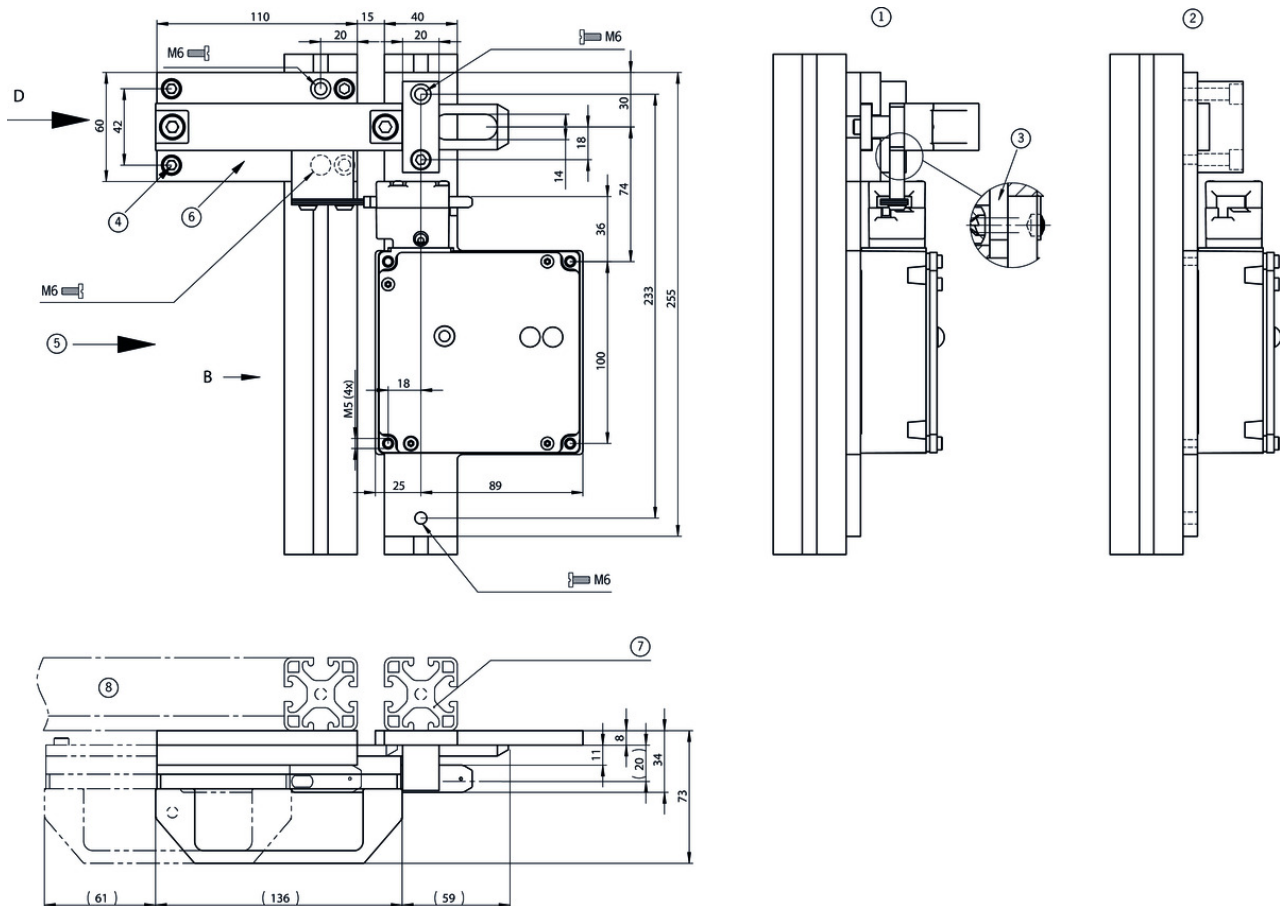
### Mechanical values and environment

Material		
	Handle	Plastic
	Guide strips	Plastic
	Base plate	Stainless steel
	Switch bracket	Stainless steel
Weight		
	Net	2,5 kg
Escape release		No
Number of safety switches that can be fitted		1

### Miscellaneous

Detent mechanism		No
------------------	--	----

## Dimension drawing



## Legende

- 1 View D
- 2 View B
- 3 Metal sleeve
- 4 Stop screw locked
- 5 Safety switch TZ approach direction C
- 6 Attention! Bolt is not allowed to be used in conjunction with an escape release!
- 7 Safety guard frame (40x40)
- 8 Door hinged on the left

## Spare parts

- ☑ Replacement handle for EUCHNER bolts



**093500** RIEGELGRIFF/V5

### ☑ Features

- › Material: plastic, reinforced polypropylene (PP)
- › Color: black, mat
- › Temperature resistance up to 100 °C
- › Packaging unit 5 pieces

## Function expansion

### Adapter NZ/TZ 45/30



#### **079033** ADAPTER NZ/TZ 45/30

##### Features

- › The adapter NZ/TZ 45/30 is used to compensate for different profiles, doors/frame 45/30

## Catalogs

- Sicherheitsschalter mit Metallgehäuse Safety Switches with Metal Housing Bezpečnostní spínače s kovovým pouzdrém Interrupteurs de sécurité avec boîtier métallique 金属壳体 的安全开关 Interruptores de seguridad con carcasa metálica

	Doc. no.	Version	Language	Download
Sicherheitsschalter mit Metallgehäuse	100319	11-03/18		7.9 MB
Interrupteurs de sécurité avec boîtier métallique	100676	11-03/18		7.9 MB
Interruptores de seguridad con carcasa metálica	104856	11-03/18		14.0 MB
Safety Switches with Metal Housing	100369	11-03/18		7.9 MB
Bezpečnostní spínače s kovovým pouzdrém	121650	11-03/18		7.9 MB
金属壳体 的安全开关	102453	11-03/18		8.2 MB

## CAD data

CAD data for this item on TraceParts