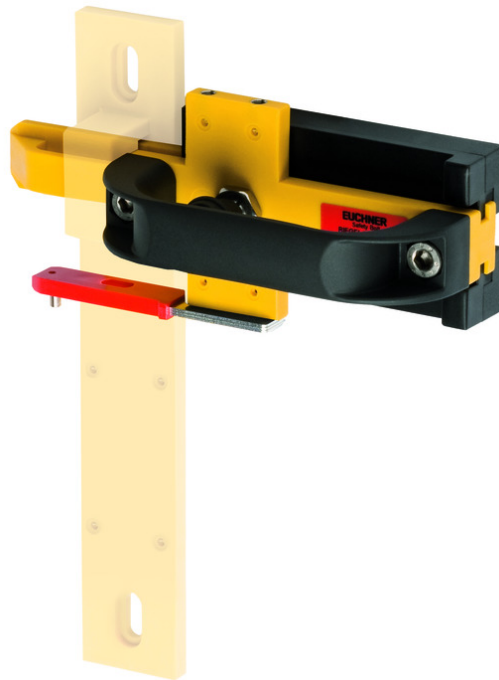


## ITEM 096617 RIEGEL NZ-GFK

Description	Technical data	Accessories	Downloads
-------------	----------------	-------------	-----------



### Features

- › Fiber glass reinforced plastic bolt
- › For doors hinged on the left or right
- › Can be locked in open position with padlocks
- › Actuator included

### Advantages

- › Light, compact construction
- › Easily fitted to standard aluminum profiles and machine covers by screw connection
- › Distinctive yellow color for easy recognition
- › No additional door handle necessary

### Notes

- › Functions only in conjunction with switch bracket **NZ-GFK**
- › Order safety switch separately
- › Order switch bracket separately

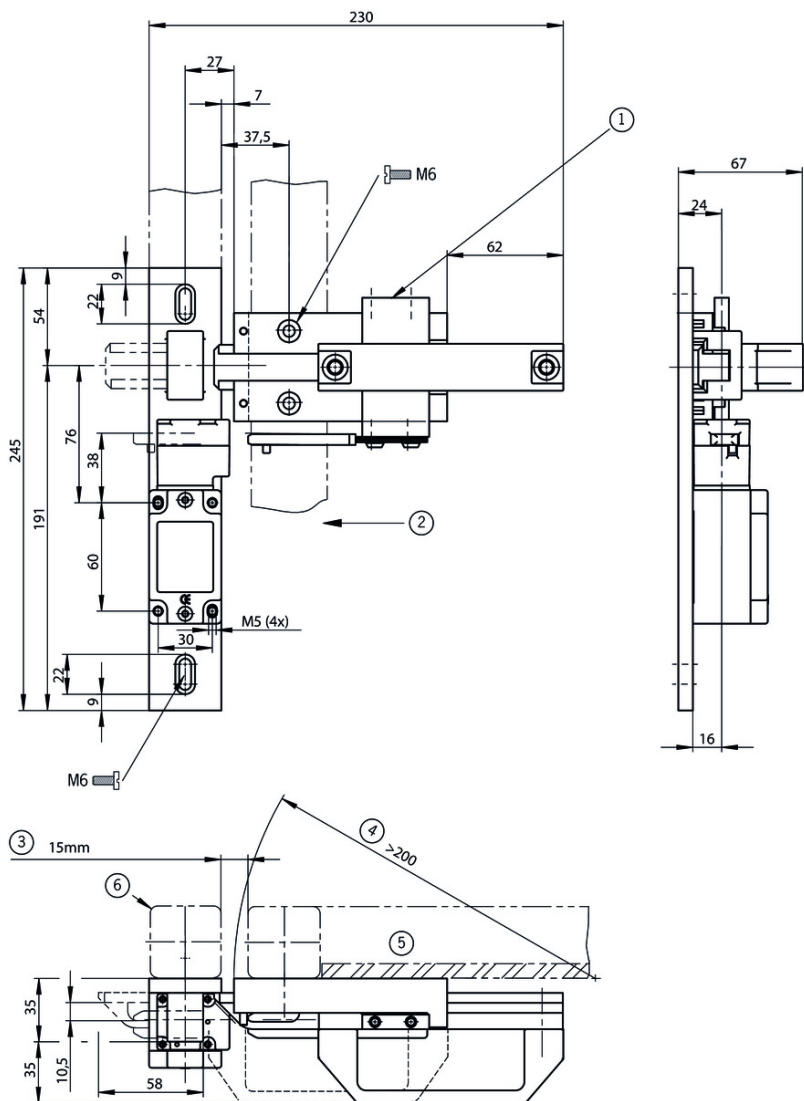
## Mechanical values and environment

Material		
	Handle	Plastic
	Guide strips	Plastic
	Base plate	Plastic
	Switch bracket	Plastic
Weight		
	Net	0,5 kg
Escape release		No
Number of safety switches that can be fitted		1

## Miscellaneous

Detent mechanism		No
------------------	--	----

## Dimension drawing



## Legende

- 1 For doors hinged on the left the actuator is to be mounted on this side and the approach direction for the switch and bolt changed.
- 2 Safety switch NZ... Approach direction A
- 3 Door gap
- 4 Door radius
- 5 Door hinged on the right
- 6 Safety guard frame (40x40)

## Spare parts

- ☑ Replacement handle for EUCHNER bolts



**093500** RIEGELGRIFF/V5

- ☑ Features

- › Material: plastic, reinforced polypropylene (PP)
- › Color: black, mat
- › Temperature resistance up to 100 °C
- › Packaging unit 5 pieces

## Mounting accessories

### Switch bracket for bolt NZ-GFK



#### **096614** SCHALTERAUFNAHME NZ-GFK

##### Features

- › Switch bracket made of fiber glass reinforced plastic
- › For left or right hinged doors

## Catalogs

### Sicherheitsschalter mit Metallgehäuse Safety Switches with Metal Housing Bezpečnostní spínače s kovovým pouzdem Interrupteurs de sécurité avec boîtier métallique 金属壳体的安全开关 Interruptores de seguridad con carcasa metálica

	Doc. no.	Version	Language	Download
Sicherheitsschalter mit Metallgehäuse	100319	11-03/18		7.9 MB
Interrupteurs de sécurité avec boîtier métallique	100676	11-03/18		7.9 MB
Interruptores de seguridad con carcasa metálica	104856	11-03/18		14.0 MB
Safety Switches with Metal Housing	100369	11-03/18		7.9 MB
Bezpečnostní spínače s kovovým pouzdem	121650	11-03/18		7.9 MB
金属壳体的安全开关	102453	11-03/18		8.2 MB

## CAD data

CAD data for this item on TraceParts