

## ITEM 082220 RIEGEL CES-A-C

Description	Technical data	Accessories	Downloads
-------------	----------------	-------------	-----------



### Features

- › Steel bolt
- › For non-contact safety switch CES-A-C.../CES-A-W.../CES-AR...
- › For left or right hinged doors
- › Ball detent mechanism in closed position
- › Can be locked in open position with padlocks
- › Actuator included

### Advantages

- › Robust construction
- › Easily fitted to standard aluminum profiles and machine covers by screw connection
- › Distinctive yellow color for easy recognition
- › Symmetrical design for doors hinged on the right or left
- › No additional door handle necessary

### Special features

- › Easy mounting of the safety switch on the bracket for the bolt tongue
- › Uniquely coded actuator (one-off)- maximum protection against tampering

- › Ball detent mechanism in closed bolt position- protection against vibration

## Notes

- › CES actuator integrated in the bolt tongue
- › Order safety switch separately
- › Other bolt types (e.g. with mechanical detent mechanism in closed bolt position) on request

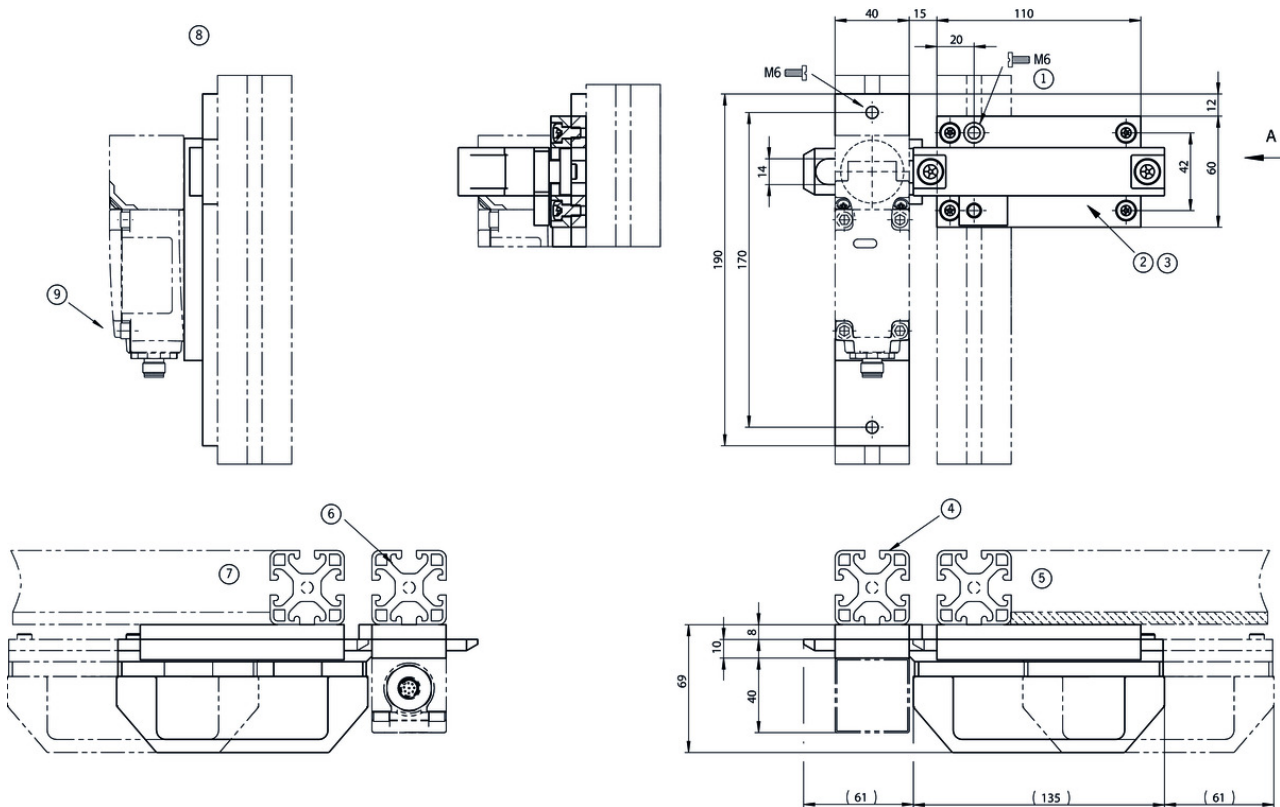
## Mechanical values and environment

Material	Handle	Plastic
	Guide strips	Plastic
	Base plate	Galvanized steel
	Switch bracket	Steel powder-coated
Weight	Net	1,75 kg
	Escape release	No
Number of safety switches that can be fitted		1

## Miscellaneous

Detent mechanism	Closed position	Ball detent mechanism
------------------	-----------------	-----------------------

## Dimension drawing



## Legende

- 1 (on both sides)
- 2 Attention! Bolt is not allowed to be used in conjunction with an escape release!
- 3 Detent mechanism against accidental opening (vibration)
- 4 Safety guard frame (40x40)
- 5 Door hinged on the right
- 6 Safety guard frame (40x40)
- 7 Door hinged on the left
- 8 View A (without slider)
- 9 Mounting using screws M5x45 enclosed

## Spare parts

- ✓ Replacement handle for EUCHNER bolts



### 093500 RIEGELGRIFF/V5

#### ✓ Features

- › Material: plastic, reinforced polypropylene (PP)
- › Color: black, mat
- › Temperature resistance up to 100 °C
- › Packaging unit 5 pieces

## Function expansion

### Protective plate CES-C01/CES-C05



#### **117007** SCHUTZBLECH / PROTECTION PLATE

##### Features

- › Protective plate can be used in combination with the switch CES-C01.
- › The protective plate protects the switch against external impacts.
- › Two safety screws M5 x 18 included.

## Catalogs

- Transpondercodierte Sicherheitsschalter - Verriegelungseinrichtungen und Zuhaltungen  
Transponder-coded safety switches - Interlocking devices and guard locking devices  
Interruptores de seguridad con codificación por transponder - Dispositivos de enclavamiento y bloqueos  
Interrupteurs de sécurité à codage par transpondeur - Dispositifs de verrouillage et interverrouillages

	Doc. no.	Version	Language	Download
Transpondercodierte Sicherheitsschalter - Verriegelungseinrichtungen und Zuhaltungen	127594	02-01/18		5.2 MB
Interrupteurs de sécurité à codage par transpondeur - Dispositifs de verrouillage et interverrouillages	137558	02-01/18		5.2 MB
Interruptores de seguridad con codificación por transponder - Dispositivos de enclavamiento y bloqueos	137560	02-01/18		5.2 MB
Transponder-coded safety switches - Interlocking devices and guard locking devices	127595	02-01/18		5.1 MB

## Declaration of conformity

### EU-Konformitätserklärung

	Doc. no.	Version	Language	Download
EU-Konformitätserklärung Declaración UE de conformidad Déclaration UE de conformité Dichiarazione di conformità EU declaration of conformity	2138160	01-01/17	    	0.3 MB

## CAD data

CAD data for this item on TraceParts