

## ITEM 104309 RIEGEL CET-A-C

| Description | Technical data | Accessories | Downloads |
|-------------|----------------|-------------|-----------|
|-------------|----------------|-------------|-----------|



### Features

- › Steel bolt
- › In combination with CET
- › For left or right hinged doors
- › Can be locked in open position with padlocks

### Advantages

- › Robust construction
- › Easily fitted to standard aluminum profiles and machine covers by screw connection
- › Distinctive yellow color for easy recognition
- › Symmetrical design for doors hinged on the right or left
- › No additional door handle necessary

### Notes

- › Order switch, read head, actuator and evaluation unit separately
- › Other bolt types (e.g. with mechanical detent mechanism in closed bolt position) on request
- › The installation position of the safety switch/read head affects the safety

category

- › Cover AM-C-124721 for actuator CET included

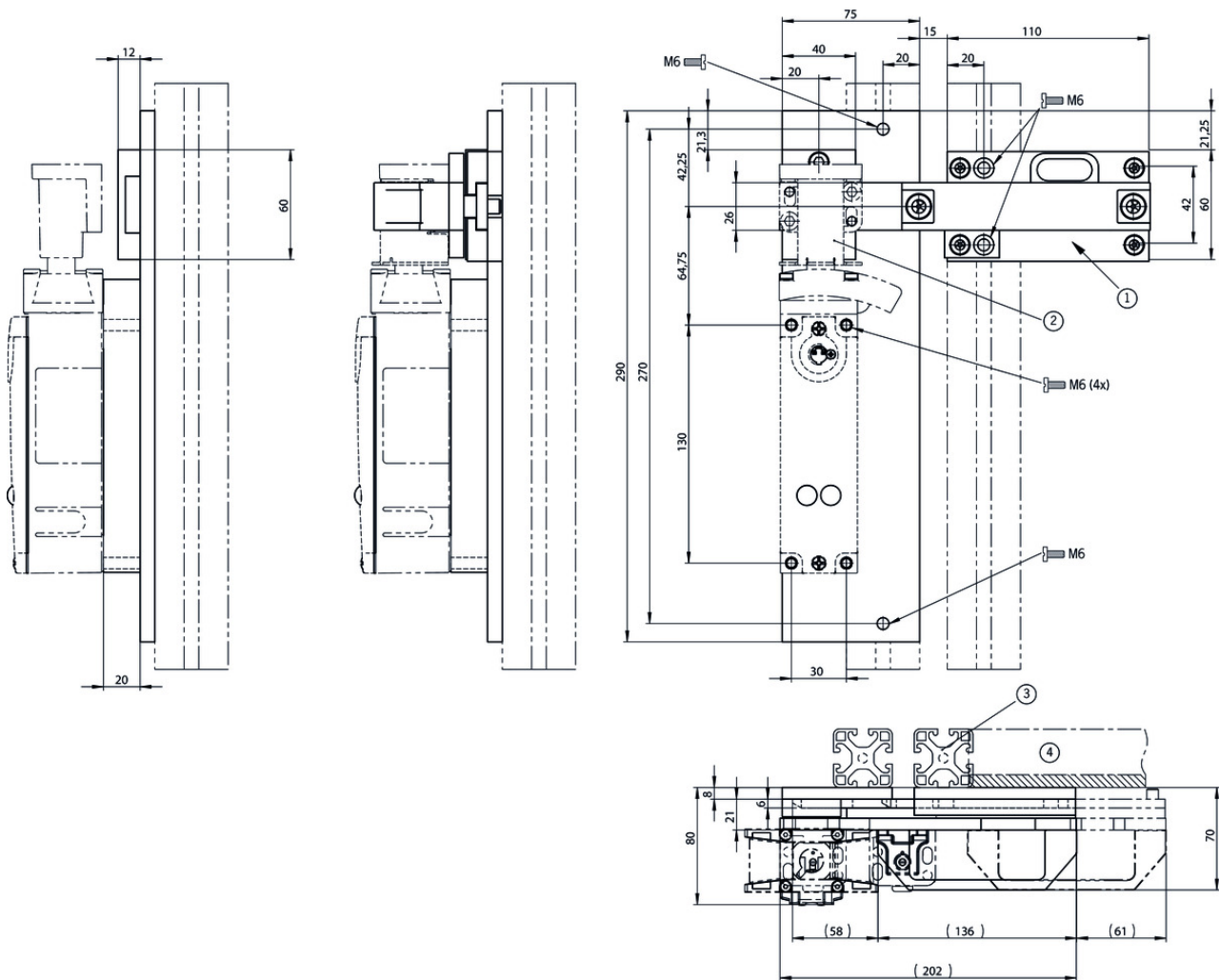
### Mechanical values and environment

|  |                |                     |
|--|----------------|---------------------|
| Material                                     |                |                     |
|  | Handle         | Plastic             |
|  | Guide strips   | Plastic             |
|  | Base plate     | Galvanized steel    |
|  | Switch bracket | Steel powder-coated |
| Weight                                       |                |                     |
|  | Net            | 2,75 kg             |
| Escape release                               |                | No                  |
| Number of safety switches that can be fitted |                | 1                   |

### Miscellaneous

|                  |    |
|------------------|----|
| Detent mechanism | No |
|------------------|----|

### Dimension drawing



## Legende

- 1 Attention! Bolt must not be used in conjunction with an escape release.
- 2 Cover
- 3 Safety guard frame (40x40)
- 4 Door hinged on the right

## Spare parts

- ✓ Replacement handle for EUCHNER bolts



### **093500** RIEGELGRIFF/V5

#### ✓ Features

- › Material: plastic, reinforced polypropylene (PP)
- › Color: black, mat
- › Temperature resistance up to 100 °C
- › Packaging unit 5 pieces

## Function expansion

## ▼ Cover for actuator CET



**124721** AM-C-124721

### ▼ Features

- › Cover for actuator CET
- › Horizontal fastening option on the actuator
- › Mounting using 4 screws M5x16 (included with the actuator)
- › Not suitable in combination with lockout bar for actuator CET

## Catalogs

- ▼ Transpondercodierte Sicherheitsschalter - Verriegelungseinrichtungen und Zuhaltungen  
Transponder-coded safety switches - Interlocking devices and guard locking devices  
Interruptores de seguridad con codificación por transponder - Dispositivos de enclavamiento y bloqueos  
Interrupteurs de sécurité à codage par transpondeur - Dispositifs de verrouillage et interverrouillages

|   | Doc. no. | Version  | Language | Download |
|---|----------|----------|----------|----------|
| Transpondercodierte Sicherheitsschalter - Verriegelungseinrichtungen und Zuhaltungen                    | 127594   | 02-01/18 |          | 5.2 MB   |
| Interrupteurs de sécurité à codage par transpondeur - Dispositifs de verrouillage et interverrouillages | 137558   | 02-01/18 |          | 5.2 MB   |
| Interruptores de seguridad con codificación por transponder - Dispositivos de enclavamiento y bloqueos  | 137560   | 02-01/18 |          | 5.2 MB   |
| Transponder-coded safety switches - Interlocking devices and guard locking devices                      | 127595   | 02-01/18 |          | 5.1 MB   |

- ▼ Transpondercodierte Sicherheitssysteme mit externer Auswertung Transponder-coded safety systems with external evaluation  
Sistemas de seguridad con codificación por transponder y evaluación externa  
Systèmes de sécurité à codage par transpondeur avec analyse externe

|   | Doc. no. | Version  | Language | Download |
|---|----------|----------|----------|----------|
| Transpondercodierte Sicherheitssysteme mit externer Auswertung              | 127596   | 02-01/18 |          | 3.1 MB   |
| Systèmes de sécurité à codage par transpondeur avec analyse externe         | 137968   | 02-01/18 |          | 3.0 MB   |
| Sistemas de seguridad con codificación por transponder y evaluación externa | 139969   | 02-01/18 |          | 3.0 MB   |
| Transponder-coded safety systems with external evaluation                   | 127597   | 02-01/18 |          | 3.0 MB   |

## CAD data

CAD data for this item on TraceParts