

ITEM 106172 RIEGEL CET-A-C/F

Description	Technical data	Accessories	Downloads
-------------	----------------	-------------	-----------



Features

- › Steel bolt
- › For doors hinged on the left or right
- › In combination with CET with escape release
- › Detent knob in open position
- › Can be locked in open position with padlocks

Advantages

- › Robust construction
- › Easily fitted to standard aluminum profiles and machine covers by screw connection
- › Distinctive yellow color for easy recognition
- › Symmetrical design for doors hinged on the right or left
- › No additional door handle necessary
- › Bolt latches in open position. Unlocked by pulling the detent knob upward

Notes

- › Order switch, read head, actuator and evaluation unit separately
- › Other bolt types (e.g. with mechanical detent mechanism in closed bolt)

- position) on request
 - › The installation position of the safety switch/ read head affects the safety category
 - › Cover AM-C-124721 for actuator CET included
-

Special features

- › Bolt with detent mechanism - bolt latches in open position to prevent unintentional closing

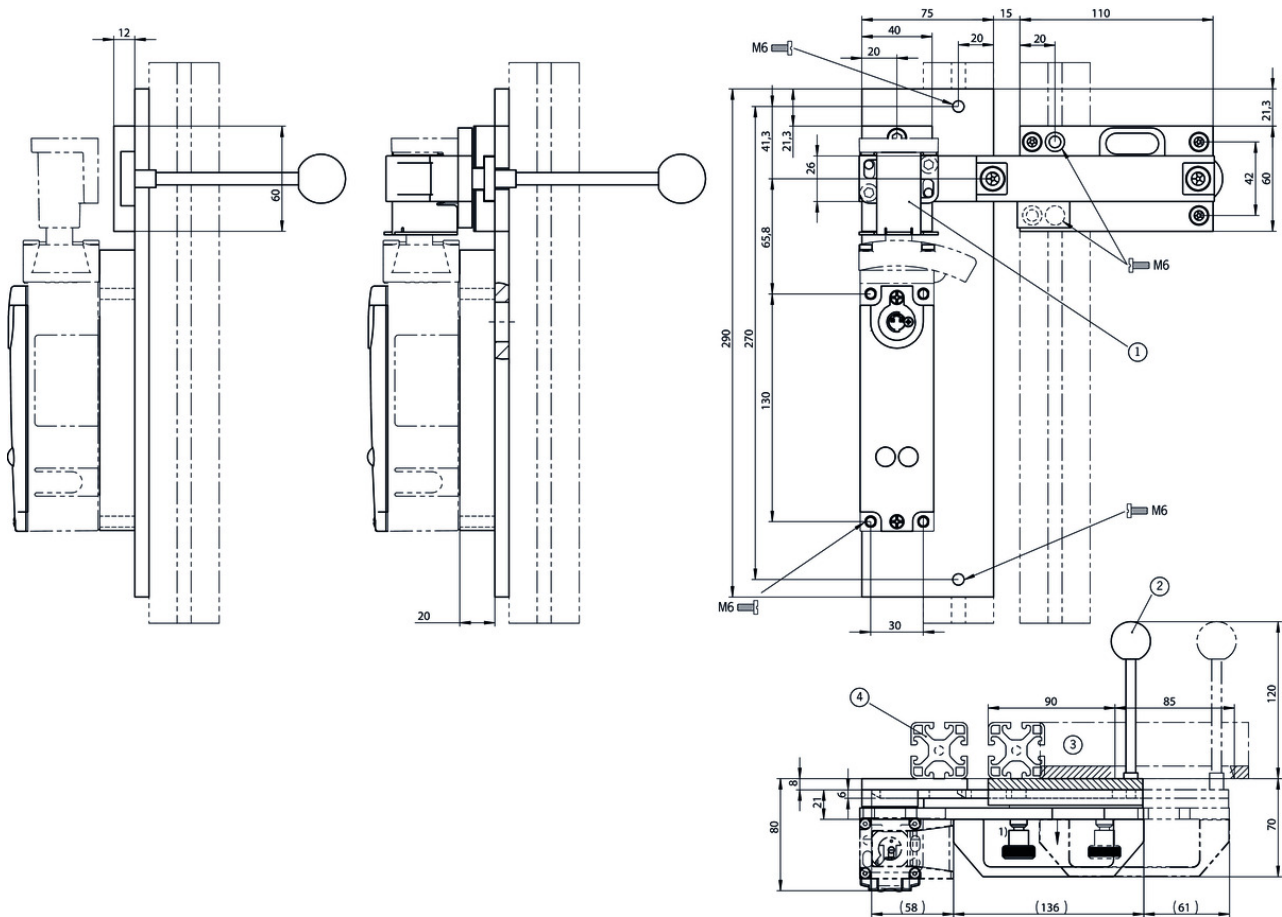
Mechanical values and environment

Material	Handle	Plastic
	Guide strips	Plastic
	Base plate	Galvanized steel
	Switch bracket	Steel powder-coated
Weight	Net	2,75 kg
	Escape release	Yes
Number of safety switches that can be fitted		1

Miscellaneous

Detent mechanism	Open position	Bolt detent mechanism

Dimension drawing



Legende

- 1 Cover
- 2 Included loose
- 3 Door hinged on the right
- 4 Safety guard frame (40x40)
- 1) Bolt with detent mechanism. Engages in open position. (Prevents unintentional closing of the bolt). Unlocked by pulling the detent knob upward.

Spare parts

- ✓ Replacement handle for EUCHNER bolts



093500 RIEGELGRIFF/V5

✓ Features

- › Material: plastic, reinforced polypropylene (PP)
- › Color: black, mat
- › Temperature resistance up to 100 °C
- › Packaging unit 5 pieces

Function expansion

▼ Cover for actuator CET



124721 AM-C-124721

▼ Features

- › Cover for actuator CET
- › Horizontal fastening option on the actuator
- › Mounting using 4 screws M5x16 (included with the actuator)
- › Not suitable in combination with lockout bar for actuator CET

Catalogs

▼ Transpondercodierte Sicherheitsschalter - Verriegelungseinrichtungen und Zuhaltungen Transponder-coded safety switches - Interlocking devices and guard locking devices Interruptores de seguridad con codificación por transponder - Dispositivos de enclavamiento y bloqueos Interrupteurs de sécurité à codage par transpondeur - Dispositifs de verrouillage et interverrouillages

	Doc. no.	Version	Language	Download
Transpondercodierte Sicherheitsschalter - Verriegelungseinrichtungen und Zuhaltungen	127594	02-01/18		5.2 MB
Interrupteurs de sécurité à codage par transpondeur - Dispositifs de verrouillage et interverrouillages	137558	02-01/18		5.2 MB
Interruptores de seguridad con codificación por transponder - Dispositivos de enclavamiento y bloqueos	137560	02-01/18		5.2 MB
Transponder-coded safety switches - Interlocking devices and guard locking devices	127595	02-01/18		5.1 MB

▼ Transpondercodierte Sicherheitssysteme mit externer Auswertung Transponder-coded safety systems with external evaluation Sistemas de seguridad con codificación por transponder y evaluación externa Systèmes de sécurité à codage par transpondeur avec analyse externe

	Doc. no.	Version	Language	Download
Transpondercodierte Sicherheitssysteme mit externer Auswertung	127596	02-01/18		3.1 MB
Systèmes de sécurité à codage par transpondeur avec analyse externe	137968	02-01/18		3.0 MB
Sistemas de seguridad con codificación por transponder y evaluación externa	139969	02-01/18		3.0 MB
Transponder-coded safety systems with external evaluation	127597	02-01/18		3.0 MB

CAD data

CAD data for this item on TraceParts