

## ITEM 109358 RIEGEL CES-AC-AR-C01-AH-SA-C2296

Description	Technical data	Accessories	Downloads
-------------	----------------	-------------	-----------



### Features

- › Steel bolt
- › Safety switch already pre-assembled
- › Connection via M12 plug connector
- › For left or right hinged doors
- › Ball detent mechanism in closed position
- › Can be locked in open position with padlocks
- › Switch and actuator included
- › Protective plate for safety switch

### Advantages

- › Robust construction
- › Easily fitted to standard aluminum profiles and machine covers by screw connection
- › Distinctive yellow color for easy recognition
- › Symmetrical design for doors hinged on the right or left
- › No additional door handle necessary

### Notes

- › CES actuator integrated in the bolt tongue
- › Safety switch CES-AR-C01-AH-SA-098941 included. For further information see product page for the safety switch.

---

### Special features

- › Uniquely coded actuator (one-off)- maximum protection against tampering
- › Bolt with detent mechanism - Ball detent mechanism in closed bolt position - Protection against vibration

### Components included in the set



098941 Safety switch CES-AR-C01-AH-SA

 Features

---

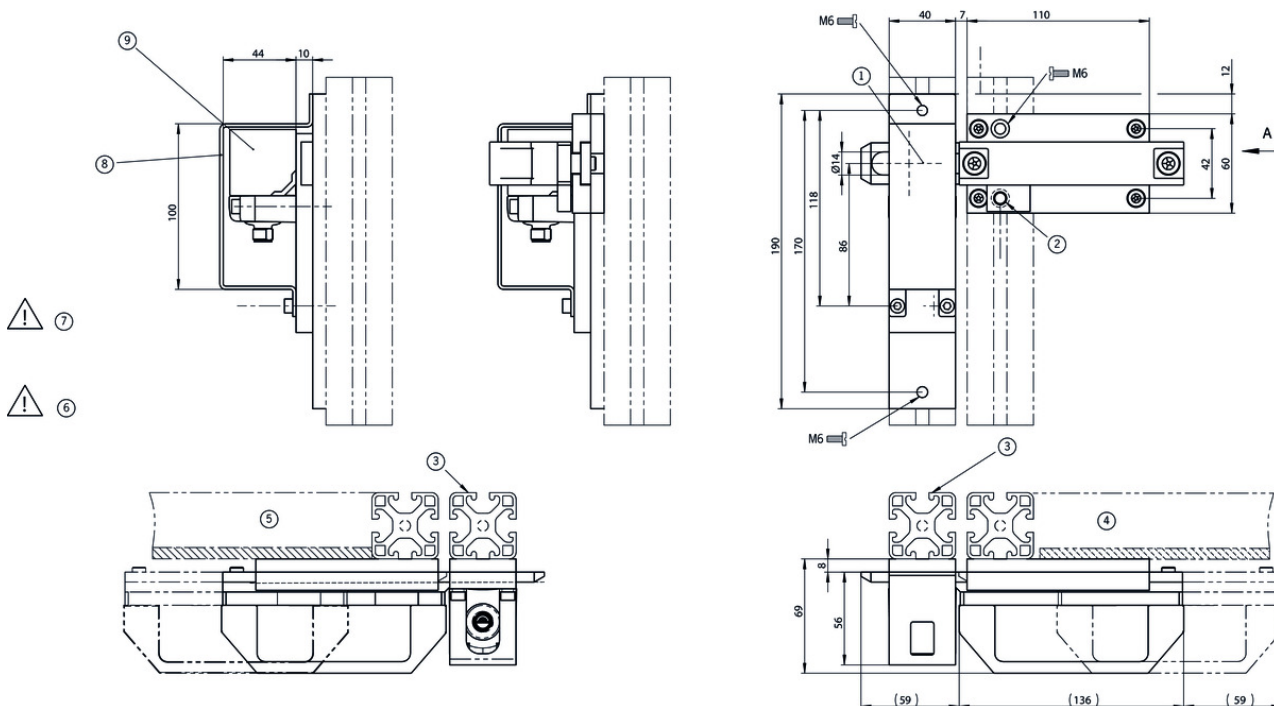
### Mechanical values and environment

Material	Handle	Plastic
	Guide strips	Plastic
	Base plate	Galvanized steel
	Switch bracket	Steel powder-coated
Weight	Net	2 kg
	Escape release	Yes
Number of safety switches that can be fitted		1

### Miscellaneous

C number	C2296	Gap dimension 7mm
	Detent mechanism	
	Closed position	Ball detent mechanism

## Dimension drawing





## Legende

- 1 CES actuator pressed into bolt tongue.
- 2 Detent mechanism against accidental opening (vibration)
- 3 Safety guard frame (40x40)
- 4 Door hinged on the right
- 5 Door hinged on the left
- 6 Attention! Bolt must not be used in conjunction with an escape release.
- 7 Attention! Bolt without door stop
- 8 Protective plate mounted on switch bracket.
- 9 Safety switch mounted on switch bracket.

## Instructions

 Návod k použití Bezkontaktní bezpečnostní spínač CES-AR-C01-... (Unicode/Multicode/Fixcode)

	Doc. no.	Version	Language	Download
Betriebsanleitung Berührungsloser Sicherheitsschalter CES-AR-C01-... (Uni-/Multi-/Fixcode)	2098039	18-10/17		 1.6 MB
Mode d'emploi Interrupteur de sécurité sans contact CES-AR-C01-... (unicode / multicode / code fixe)	2098039	18-10/17		 1.6 MB

Manual de instrucciones Interruptor de seguridad sin contacto CES-AR-C01-... (Unicode/Multicode/Fixcode)	2098039	18-10/17		1.6 MB
Návod k použití Bezkontaktní bezpečnostní spínač CES-AR-C01-... (Unicode/Multicode/Fixcode)	2098039	18-10/17		1.7 MB
Operating Instructions Non-Contact Safety Switch CES-AR-C01-... (Unicode/Multicode/Fixcode)	2098039	18-10/17		1.6 MB
Istruzioni di impiego Finecorsa di sicurezza senza contatto CES-AR-C01-... (Uni-/Multi-/Fixcode)	2098039	18-10/17		1.6 MB
Instrucțiuni de utilizare Întrerupător de siguranță fără contact CES-AR-C01-... (cod unic/mai multe coduri/cod fi x)	2098039	18-10/17		1.8 MB
Инструкция по эксплуатации Бесконтактный предохранительный выключатель CES-AR-C01-... (Uni-/Multi-/Fixcode)	2098039	18-10/17		1.8 MB
İşletim kılavuzu Temassız emniyet şalteri CES-AR-C01-... (Uni-/Multi-/Fixcode)	2098039	18-10/17		1.8 MB
使用说明书 非接触式安全开关 CES-AR-C01-... (特殊/通用/固定编码)	2098039	18-10/17		1.9 MB

#### ▼ Sicherheitsinformation CES-AR/CES-AP

	Doc. no.	Version	Language	Download
Sicherheitsinformation CES-AR/CES-AP	091181	08-04/15		0.6 MB
Información de seguridad CES-AR/CES-AP				
Information de sécurité CES-AR/CES-AP				
Informazioni sulla sicurezza CES-AR/CES-AP				
Safety Information CES-AR/CES-AP				
Informații privind siguranța CES-AR/CES-AP	091181	08-04/15		0.2 MB
Informação de segurança CES-AR/CES-AP	091181	08-04/15		0.2 MB
Bezpečnostní informace CES-AR/CES-AP	091181	08-04/15		0.2 MB
Информация о безопасности CES-AR/CES-AP	091181	08-04/15		0.2 MB
安全信息 CES-AR/CES-AP	091181	08-04/15		0.3 MB
Güvenlik bilgisi CES-AR/CES-AP	091181	08-04/15		0.2 MB

#### ▼ Sicherheitsinformation CES-AR/CES-AP/CES-BR

	Doc. no.	Version	Language	Download
Sicherheitsinformation CES-AR/CES-AP/CES-BR	2514431	02-07/18		0.4 MB
Safety Information CES-AR/CES-AP/CES-BR				
Information de sécurité CES-AR/CES-AP/CES-BR				

## Catalogs

- ▼ Transpondercodierte Sicherheitsschalter - Verriegelungseinrichtungen und Zuhaltungen  
 Transponder-coded safety switches - Interlocking devices and guard locking devices  
 Interruptores de seguridad con codificación por transponder - Dispositivos de enclavamiento y bloqueos  
 Interrupteurs de sécurité à codage par transpondeur - Dispositifs de verrouillage et interverrouillages

**Doc. no.    Version    Language    Download**

Transpondercodierte Sicherheitsschalter - Verriegelungseinrichtungen und Zuhaltungen	127594	02-01/18		 5.2 MB
Interrupteurs de sécurité à codage par transpondeur - Dispositifs de verrouillage et interverrouillages	137558	02-01/18		 5.2 MB
Interruptores de seguridad con codificación por transponder - Dispositivos de enclavamiento y bloqueos	137560	02-01/18		 5.2 MB
Transponder-coded safety switches - Interlocking devices and guard locking devices	127595	02-01/18		 5.1 MB

## Declaration of conformity

### EU prohlášení o shodě

	Doc. no.	Version	Language	Download
EU-Konformitätserklärung Declaración UE de conformidad Déclaration UE de conformité Dichiarazione di conformità EU declaration of conformity	2109923	13-01/17	    	 0.4 MB
EU prohlášení o shodě EU-overensstemmelseserklæring Δήλωση συμμόρφωσης της ΕΕ EU-vaatimustenmukaisuusvakuutus EU-típusbizonyítvány EU-conformiteitsverklaring Deklaracja zgodności UE Declarația de conformitate UE EÚ vyhlásenie o zhode	2109923	13-01/17	       	 0.6 MB

### EU-Konformitätserklärung

	Doc. no.	Version	Language	Download
EU-Konformitätserklärung Declaración UE de conformidad Déclaration UE de conformité Dichiarazione di conformità EU declaration of conformity	2138160	01-01/17	    	 0.3 MB

## CAD data

CAD data for this item on TraceParts