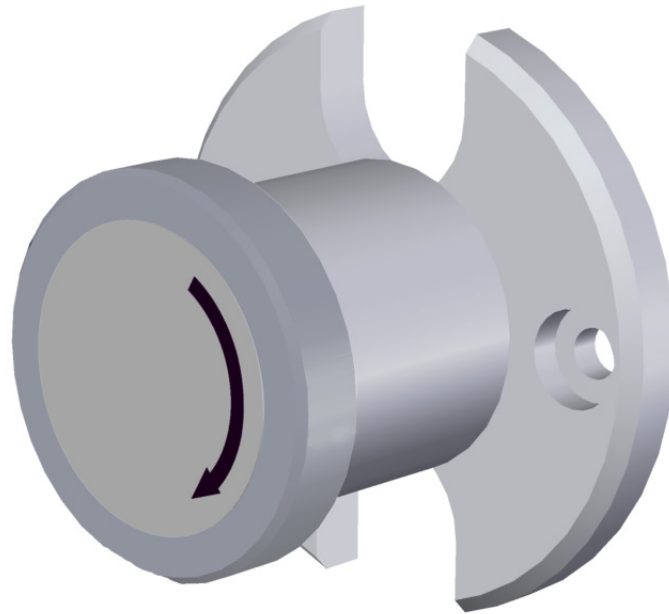


ITEM 094773 ENTRIEGELUNG RUECKSTELLEND TX1/3

| Description | Technical data | Accessories | Downloads |
|-------------|----------------|-------------|-----------|
|-------------|----------------|-------------|-----------|



Is used for the manual release of the guard locking. The integrated spring automatically resets the release to the locked state. Sealing can be fitted to protect against tampering.

Attention: Prior to mounting, the locking screw for the mechanical release must be removed.

Mechanical values and environment

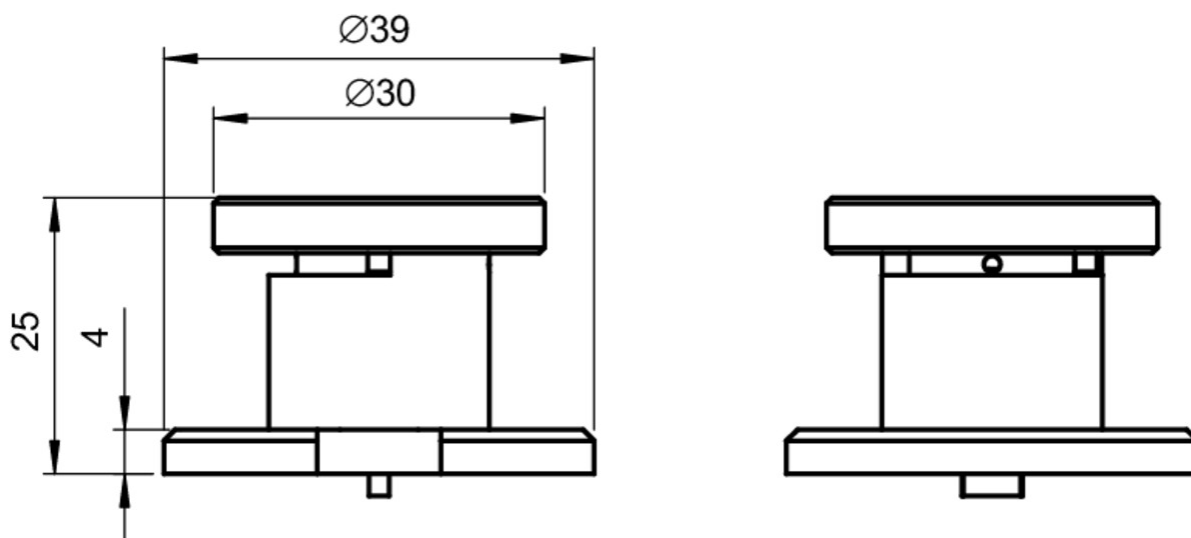
| | |
|----------|----------|
| Material | Aluminum |
|----------|----------|

Miscellaneous

| | |
|------------------|-------------------|
| Detent mechanism | No ^[1] |
|------------------|-------------------|

^[1] Resetting

Dimension drawing



Spare parts

- Lead seal kit

087256 PLOMBENSATZ C1937

Catalogs

- Sicherheitsschalter mit Metallgehäuse Safety Switches with Metal Housing Bezpečnostní spínače s kovovým pouzdrém Interrupteurs de sécurité avec boîtier métallique 金属壳体 的安全开关 Interruptores de seguridad con carcasa metálica

| | Doc. no. | Version | Language | Download |
|---|----------|----------|----------|----------|
| Sicherheitsschalter mit Metallgehäuse | 100319 | 11-03/18 | | 7.9 MB |
| Interrupteurs de sécurité avec boîtier métallique | 100676 | 11-03/18 | | 7.9 MB |

| | | | | |
|---|--------|----------|---|--|
| Interruptores de seguridad con carcasa metálica | 104856 | 11-03/18 |  |  14.0 MB |
| Safety Switches with Metal Housing | 100369 | 11-03/18 |  |  7.9 MB |
| Bezpečnostní spínače s kovovým pouzdem | 121650 | 11-03/18 |  |  7.9 MB |
| 金属壳体 的安全开关 | 102453 | 11-03/18 |  |  8.2 MB |

CAD data

CAD data for this item on TraceParts