

ITEM 113187 C-M12F05-05X025PU10,0-MA-113187

Description	Technical data	Accessories	Downloads
-------------	----------------	-------------	-----------



Features

- › M12 female plug, 5-pin
- › Angled plug connector
- › PUR cable
- › Cable length 10 m
- › Cable exit A (right)
- › With flying lead

Mechanical values and environment

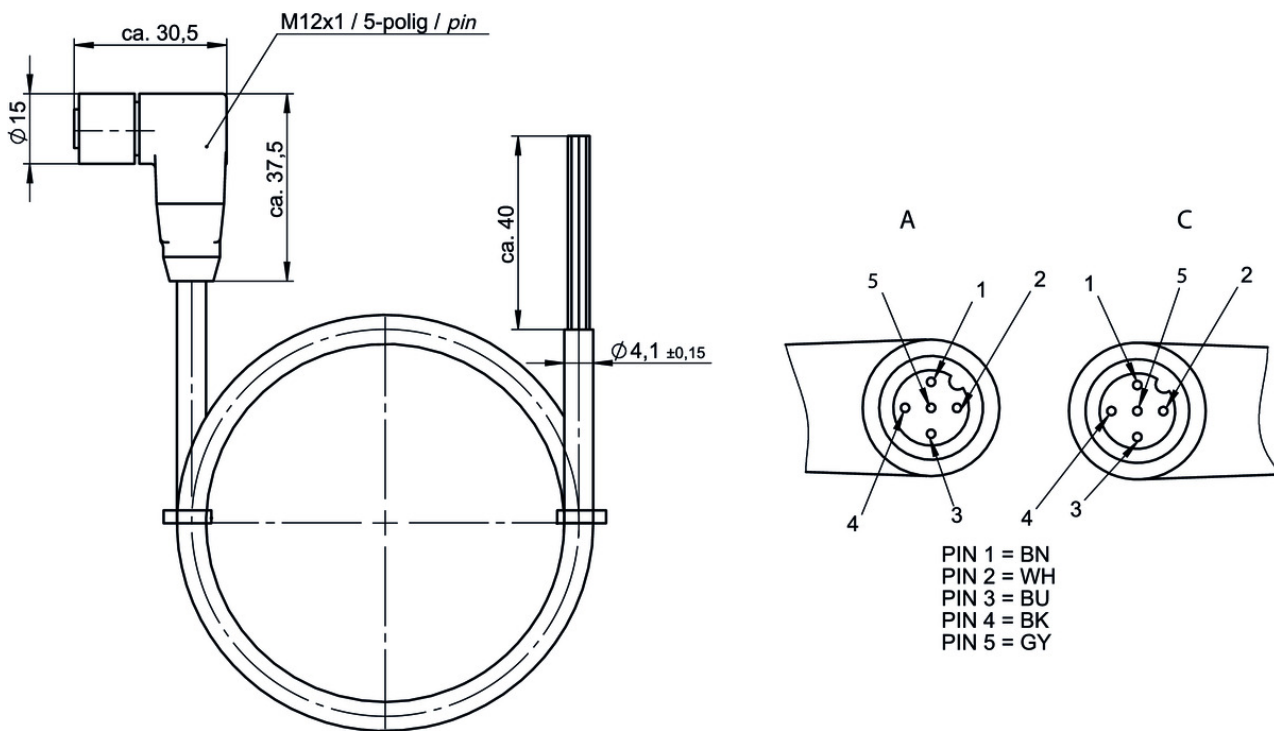
Sheath material	PUR
Conductor insulation material	PP
Drag chain suitability	Yes
Ambient temperature	
static	-25 ... +80 °C
Dynamic	-25 ... +80 °C
Number of conductors	5
Type of cable	straight

Cable length	10 m
Cable diameter	Approx. 4,1 mm
Conductor cross-section	0.25mm ²
Conductor identification	Color code
Sheath color	Black
Bending radius	static 5 x cable diameter Dynamic 10 x cable diameter
Connection 1	
Degree of protection	IP67
Plug lock material	CuZn nickel-plated
Connection	Plug connectors M12x1
Connection type	Socket
Cable outlet	Angle
Number of pins	5
Plug lock	Screw connection
Plug housing material	TPU
Connection 2	
Conductor end	Sheath stripped
Connection	Flying lead

Electrical connection ratings

Operating voltage	30 V
Degree of contamination according to EN 60664-1	3

Dimension drawing



Catalogs

- ▼ Transpondercodierte Sicherheitsschalter - Verriegelungseinrichtungen und Zuhaltungen
 Transponder-coded safety switches - Interlocking devices and guard locking devices
 Interruptores de seguridad con codificación por transponder - Dispositivos de enclavamiento y bloqueos
 Interrupteurs de sécurité à codage par transpondeur - Dispositifs de verrouillage et interverrouillages

	Doc. no.	Version	Language	Download
Transpondercodierte Sicherheitsschalter - Verriegelungseinrichtungen und Zuhaltungen	127594	02-01/18		5.2 MB
Interrupteurs de sécurité à codage par transpondeur - Dispositifs de verrouillage et interverrouillages	137558	02-01/18		5.2 MB
Interruptores de seguridad con codificación por transponder - Dispositivos de enclavamiento y bloqueos	137560	02-01/18		5.2 MB
Transponder-coded safety switches - Interlocking devices and guard locking devices	127595	02-01/18		5.1 MB