

**ITEM 103556 C-R08F06-06X014PV05,0-ES-103556**

Description	Technical data	Accessories	Downloads
-------------	----------------	-------------	-----------



**Features**

- › Connection cable for CES-AP-C.2-...
- › Female plug, 6-pin
- › snap-on
- › PVC cable, straight
- › Cable length 5 m
- › With flying lead

**Mechanical values and environment**

Sheath material	PVC
Conductor insulation material	PVC
Fire behavior	According to VDE0472
	According to VDE 0472
Drag chain suitability	No
UV resistance	Largely according to VDE0472
Ambient temperature	

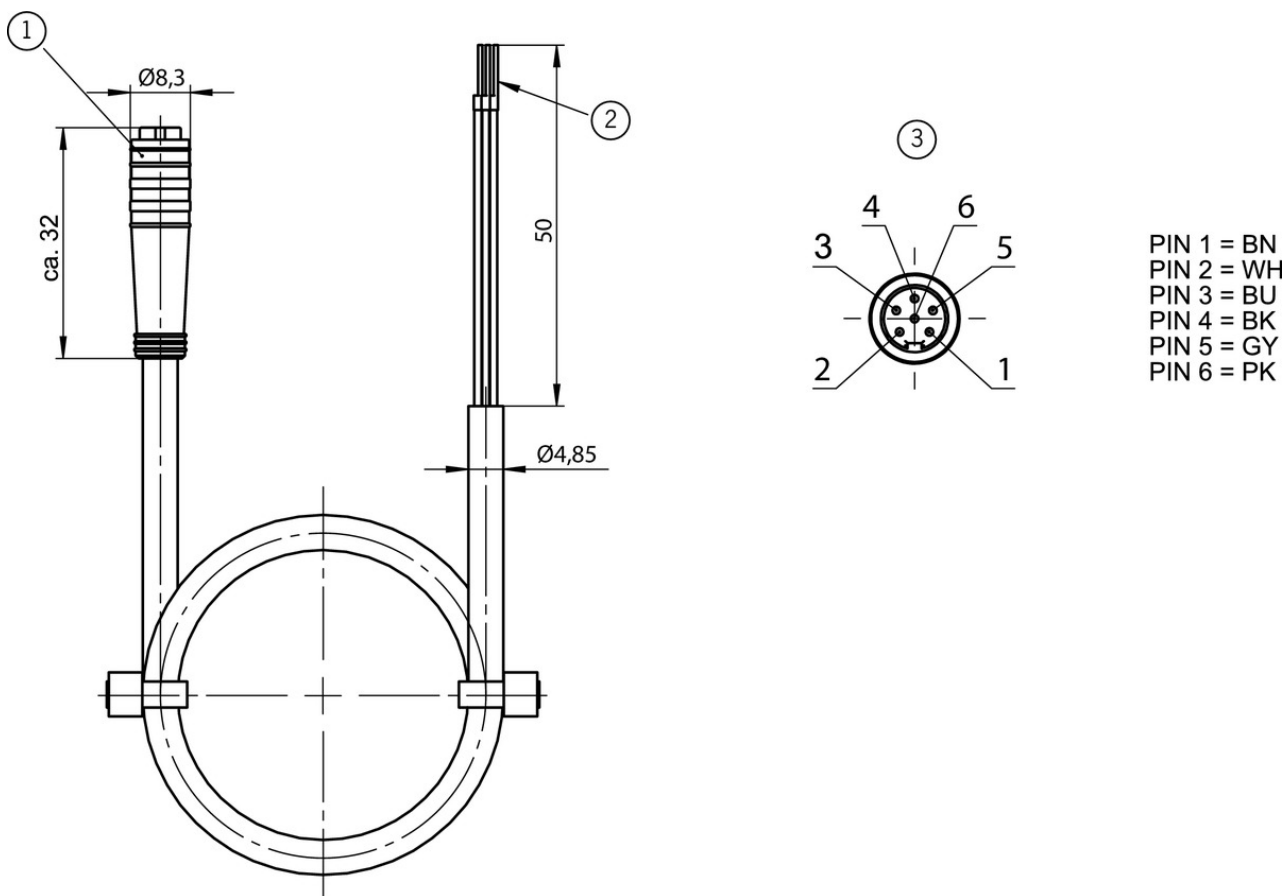
	static	-30 ... +70 °C
	Dynamic	0 ... +70 °C
Number of conductors		6
Type of cable		straight
Cable length		5 m
Cable diameter	Approx.	4,5 mm
Conductor cross-section		0.14 mm <sup>2</sup>
Conductor identification		Color code
Sheath color		gray
Bending radius	static	5 x cable diameter
	Dynamic	10 x cable diameter
		<b>Connection 1</b>
Degree of protection		IP67 [1]
Insertion cycles		100
Connection		Plug connector Ø8
Connection type		Socket
Cable outlet		straight
Number of pins		6
Plug lock		Snap-on
Plug housing material		TPU
		<b>Connection 2</b>
Conductor end		Cable end sleeves
Connection		Flying lead

### Electrical connection ratings

Rated voltage	30 V
Specific cable resistance	150 Ω/km
Specific inductance	0,65 mH/km
Specific capacitance	120 nF/km
	<b>Connection 1</b>
Degree of contamination according to EN 60664-1	3

[1] In the inserted state

## Dimension drawing





## Legende

- 1 Female plug 8 mm, 6-pin
- 2 Crimped ferrules
- 3 Terminal assignment as seen from the connection side

## Catalogs

- ▼ Transpondercodierte Sicherheitsschalter - Verriegelungseinrichtungen und Zuhaltungen  
 Transponder-coded safety switches - Interlocking devices and guard locking devices  
 Interruptores de seguridad con codificación por transponder - Dispositivos de enclavamiento y bloqueos  
 Interrupteurs de sécurité à codage par transpondeur - Dispositifs de verrouillage et interverrouillages

	Doc. no.	Version	Language	Download
Transpondercodierte Sicherheitsschalter - Verriegelungseinrichtungen und Zuhaltungen	127594	02-01/18		5.2 MB
Interrupteurs de sécurité à codage par transpondeur - Dispositifs de verrouillage et interverrouillages	137558	02-01/18		5.2 MB

Interruptores de seguridad con codificación por transponder - Dispositivos de enclavamiento y bloqueos	137560	02-01/18		 5.2 MB
Transponder-coded safety switches - Interlocking devices and guard locking devices	127595	02-01/18		 5.1 MB