

## ITEM 100760 RIEGEL TP/GP-AC

Description	Technical data	Accessories	Downloads
-------------	----------------	-------------	-----------



### Features

- › Steel bolt
- › For doors hinged on the right or left
- › For 2 safety switches GP and TP on one bolt
- › Can be locked in open position with padlocks
- › Actuator included

### Advantages

- › Robust construction
- › Easily fitted to standard aluminum profiles and machine covers by screw connection
- › Distinctive yellow color for easy recognition
- › No additional door handle necessary

### Special features

- › One bolt for 2 safety switches
- › › A higher safety category according to EN ISO 13849-1 (e.g. category 4) is achieved

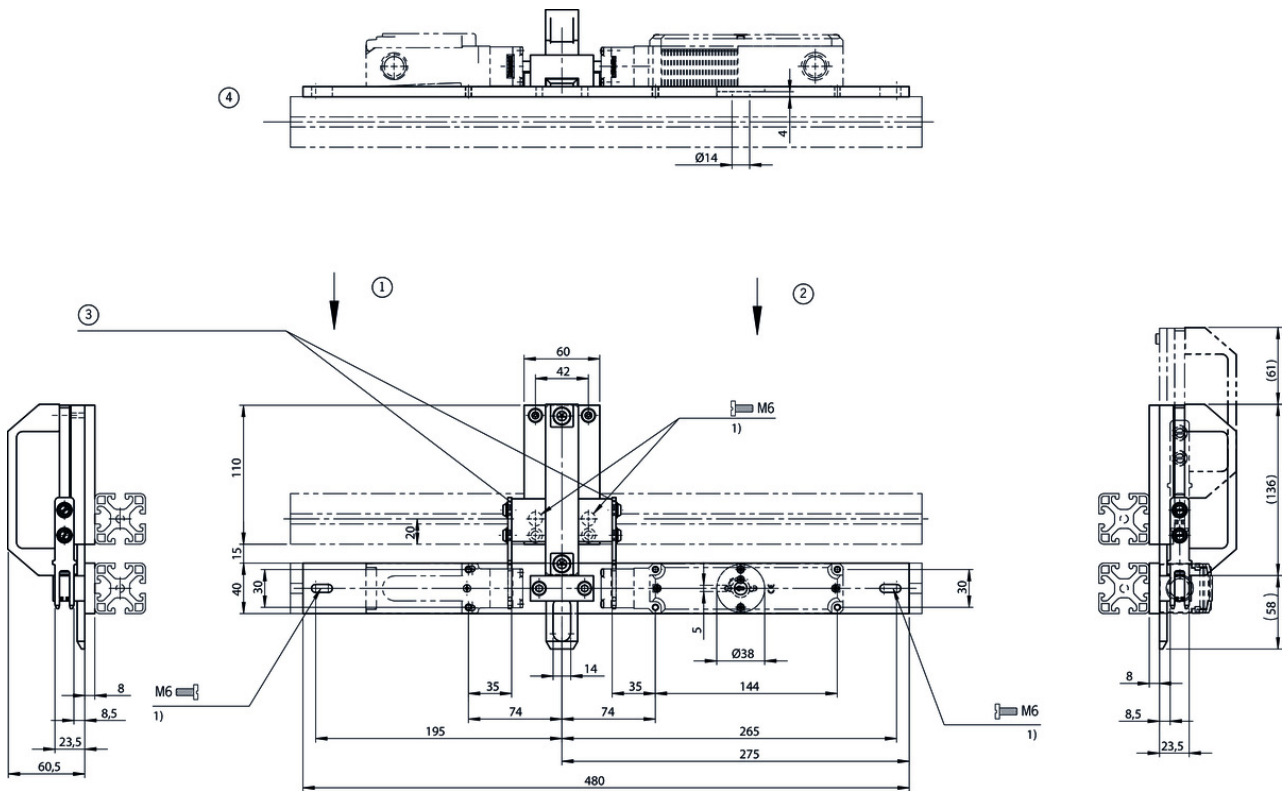
## Mechanical values and environment

Material		
	Handle	Plastic
	Guide strips	Plastic
	Base plate	Galvanized steel
	Switch bracket	Steel powder-coated
Weight		
	Net	2,25 kg
Escape release		No
Number of safety switches that can be fitted		2

## Miscellaneous

Detent mechanism		
	Open position	Ball detent mechanism

## Dimension drawing



## Legende

- 1 Safety switch GP approach direction C
- 2 Safety switch TP approach direction A
- 3 Actuator must be securely and permanently attached to the bolt, e. g.: using the non-removable screws enclosed!
- 4 Attention! Bolt is not allowed to be used in conjunction with an escape release!
- 1) These screws must be securely and permanently connected to the safety guard. E.g. by bonding or drilling out the hex socket