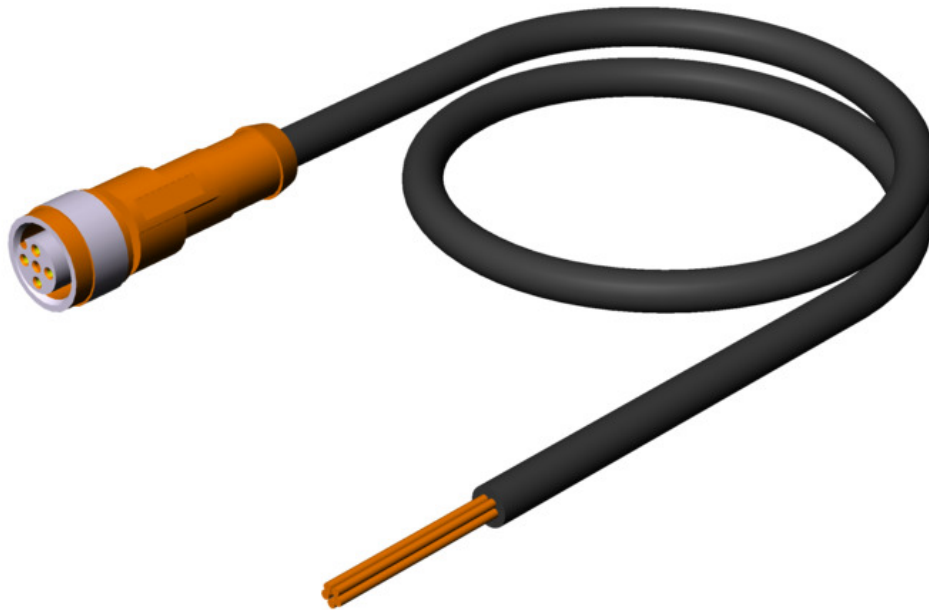


**ITEM 123997 C-M12F05-05X034PU10,0-MA-123997**

Description	Technical data	Accessories	Downloads
-------------	----------------	-------------	-----------



**Features**

- › M12 female plug, 5-pin
- › Straight plug connector
- › PUR cable
- › Cable length 10 m

**Approvals**



**Mechanical values and environment**

Sheath material	PUR
Conductor insulation material	PP
Conductor material	Bare Cu flexible wire
Fire behavior	Flammability class according to UL 94 HB

Halogen-free	Yes <b>[1]</b>
Resistance to media	Resistant to hydrolysis and microbes
Drag chain suitability	Yes
UV resistance	Limited UV resistance according to DIN EN ISO 4892-2-A
Ambient temperature	
static	-40 ... +80 °C
Dynamic	-25 ... +80 °C
Designation of plug connector	Socket M12x1, straight, screened <b>[2]</b>
Number of conductors	5
Cable length	10 m
Cable diameter	
Approx.	5,9 mm
Conductor cross-section	0.34 mm <sup>2</sup>
Conductor identification	Color code
Sheath color	Black
Bending radius	
static	29.5 mm
Dynamic	59 mm (to +60°C)
	<b>Connection 1</b>
Degree of protection	IP67 <b>[3]</b>
Plug lock material	Die-cast zinc, nickel-plated
Insertion cycles	min.100
Connection	Plug connector M12x1, A-coded
Connection type	Socket
Cable outlet	straight
Number of pins	5
Plug lock	Screw connection <b>[4]</b>
Plug housing material	TPU <b>[5]</b>
	<b>Connection 2</b>
Conductor end	Sheath stripped 50mm
Connection	Flying lead

### Electrical connection ratings

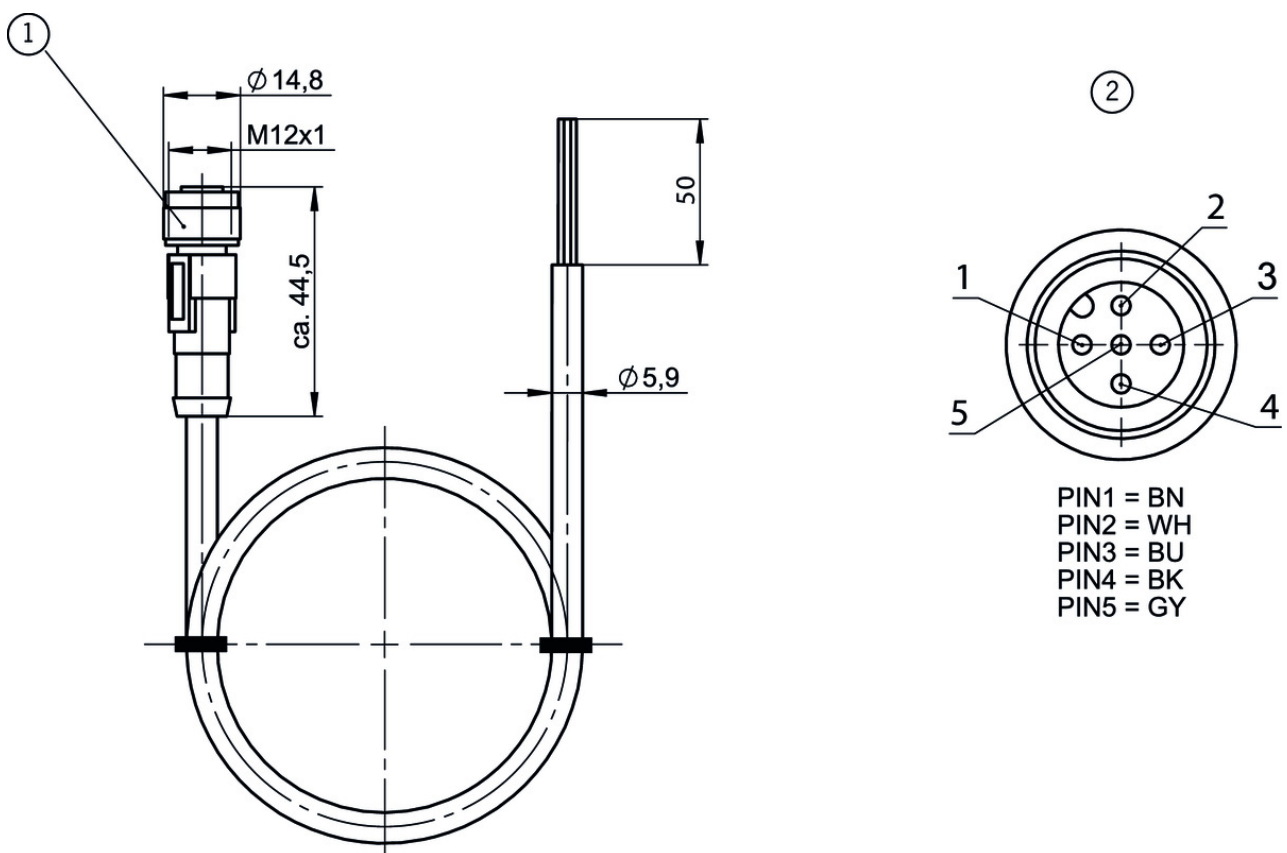
Rated voltage		
Cable	300 V (at 20°C)	
Nominal current		
At 40°C	4 A	
Rated voltage	60 V	
Overvoltage category according to IEC EN 60664-1	II	
Degree of contamination according to EN 60664-1	3	
Specific cable resistance	57 Ω/km (at 20°C)	
Cable shielding	Yes <b>[6]</b>	

Test voltage

Core/core 3 kV (at 20°C)

- [1] According to DIN VDE 0472 part 815
- [2] Phoenix Contact
- [3] In the screwed tight state
- [4] 0.4 Nm
- [5] Low flammability, self-extinguishing
- [6] Braid, tinned Cu, coverage 85%

### Dimension drawing



### Legende

- 1 Female plug M12, 5-pin
- 2 Terminal assignment as seen from the connection side