

ITEM 113106 EKS DESKTOP CASE

Description	Technical data	Accessories	Downloads
-------------	----------------	-------------	-----------



Features

- › Establishment of a programming station for Electronic-Key management on the desk
- › EKS data entry station on desktop for which a degree of protection is not required
- › Installation of the compact version of the Electronic-Key adapter (all interfaces)
- › Easy mounting from above in removable cover (2-piece housing, bottom open)
- › Strain relief for connection cable
- › Including mounting parts (note: screw clamp elements are included with the Electronic-Key adapter)
- › ATTENTION: Figure shows desktop case including key adapter. Electronic-Key adapter not included.

Approvals

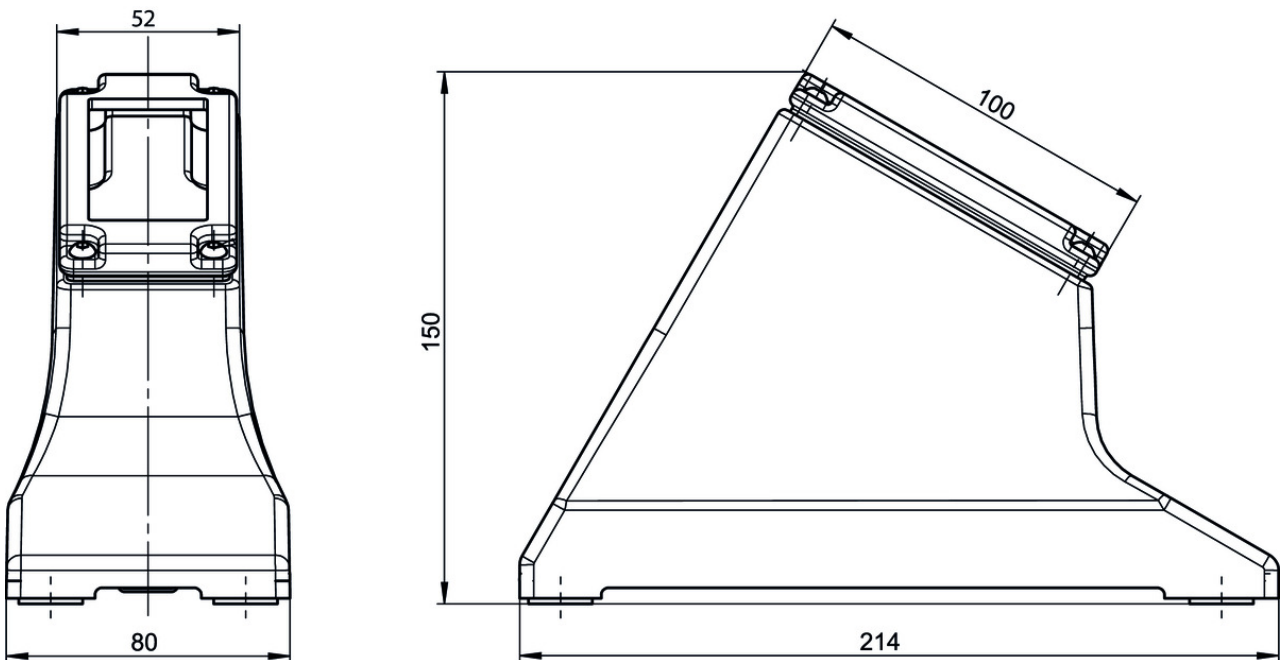
Mechanical values and environment

Housing material	Sand-cast aluminum
Weight	Net 1 kg
Mounting cut-out according to DIN 43700	33x68 mm
Installation position	On the front

Miscellaneous

Color	Interface Anthracite
-------	----------------------

Dimension drawing



Catalogs

- [!\[\]\(97faa0168e491544be255cfcab218e9b_img.jpg\)
 Electronic-Key-System EKS Electronic-Key-System EKS Electronic-Key-System EKS Electronic-Key-System EKS](#)

Electronic-Key-System EKS	086808	14-04/17		 3.2 MB
Electronic-Key-System EKS	092953	14-04/17		 3.2 MB
Electronic-Key-System EKS	114432	14-04/17		 3.2 MB
Electronic-Key-System EKS	086809	14-04/17		 3.2 MB