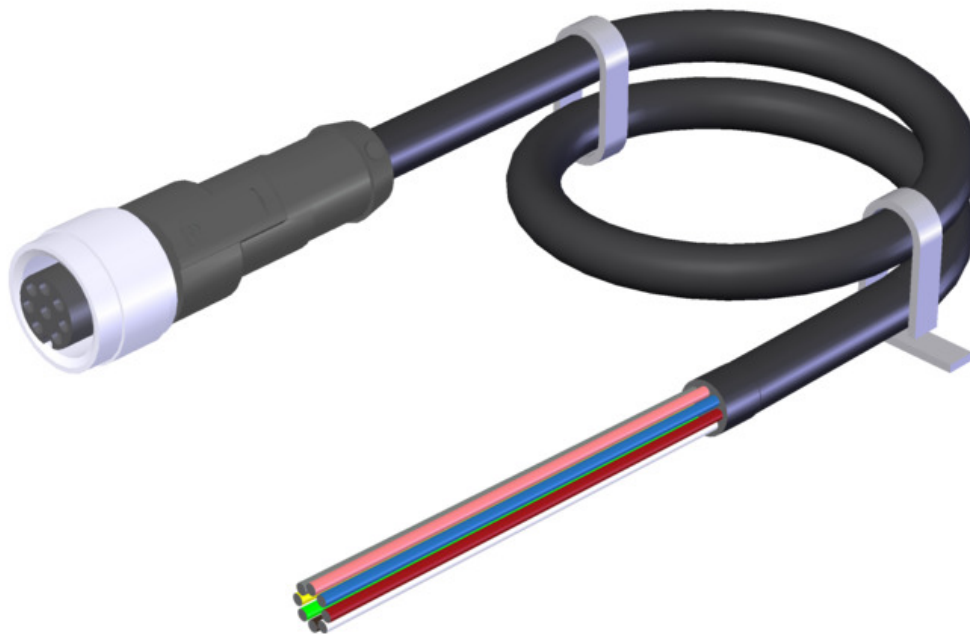


ITEM 115116 C-M12F08-08X025PV30,0-MA-115116

| | | | |
|-------------|----------------|-------------|-----------|
| Description | Technical data | Accessories | Downloads |
|-------------|----------------|-------------|-----------|



Features

- › M12 female plug, 8-pin
- › Straight plug connector
- › PVC cable
- › Cable length 30 m
- › With flying lead

Terminal assignment

| View of connection side | Pin | Conductor coloring |
|-------------------------|-----|--------------------|
| | 1 | WH |
| | 2 | BN |
| | 3 | GN |
| | 4 | YE |
| | 5 | GY |
| | 6 | PK |
| | 7 | BU |
| | 8 | RD |

Mechanical values and environment

| | |
|-------------------------------|--|
| Sheath material | PVC |
| Conductor insulation material | PVC |
| Conductor material | Cu flexible wire bare |
| Fire behavior | Flame retardant according to UL-Style 2464 |
| Drag chain suitability | No |
| UV resistance | Moderately UV-resistant |
| Ambient temperature | |
| static | -25 ... +80 °C |
| Dynamic | -5 ... +80 °C |
| Number of conductors | 8 |
| Type of cable | straight |
| Cable length | 30 m |
| Cable diameter | |
| Approx. | 5,9 mm |
| Conductor cross-section | 0.25 mm ² |
| Conductor identification | Color code |
| Sheath color | Black |
| Bending radius | |
| static | 5 x cable diameter |
| Dynamic | 15 x cable diameter |
| | Connection 1 |
| Degree of protection | IP67 [1] |
| Plug lock material | CuZn, nickel-plated |
| Insertion cycles | 100 |
| Insulating material group | 1 |
| Connection | Plug connectors M12x1 |
| Connection type | Socket |
| Cable outlet | straight |
| Number of pins | 8 |
| Plug lock | Screw connection |
| Plug housing material | TPU |
| | Connection 2 |
| Conductor end | Sheath stripped |
| Connection | Flying lead |

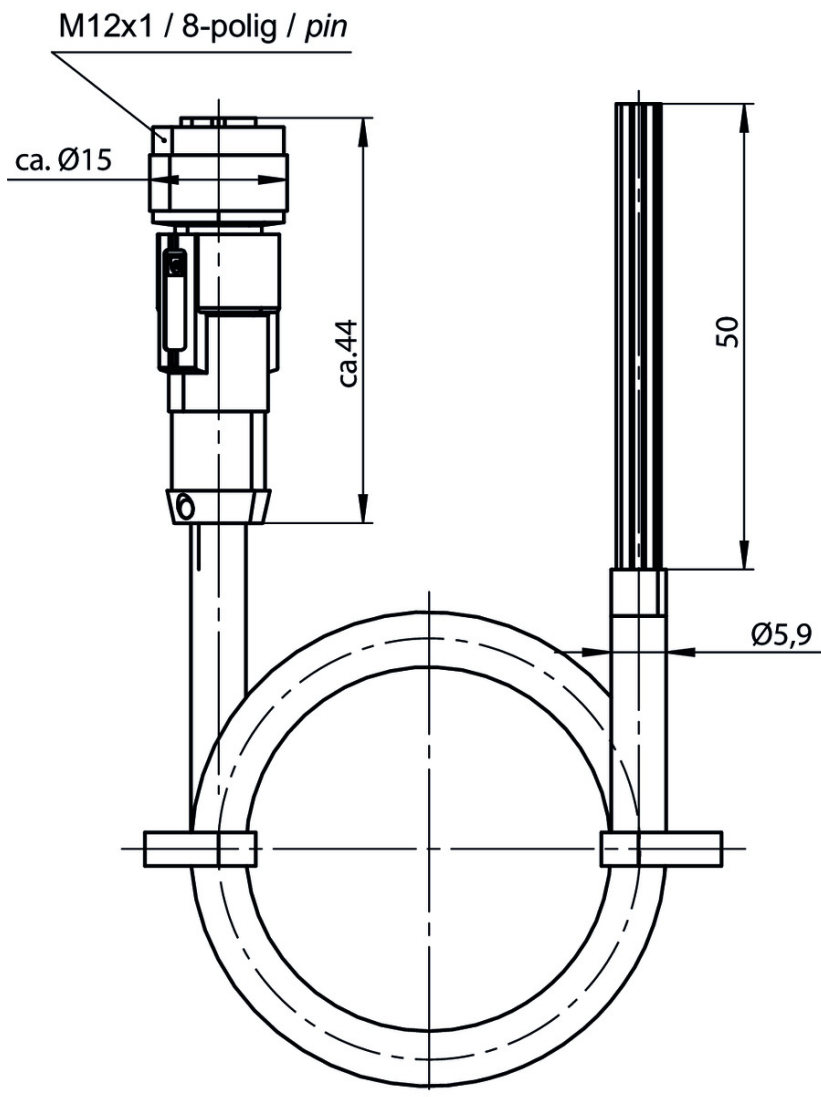
Electrical connection ratings

| | |
|-----------------|------|
| Nominal current | |
| At 25° C | 2 A |
| Rated voltage | 30 V |

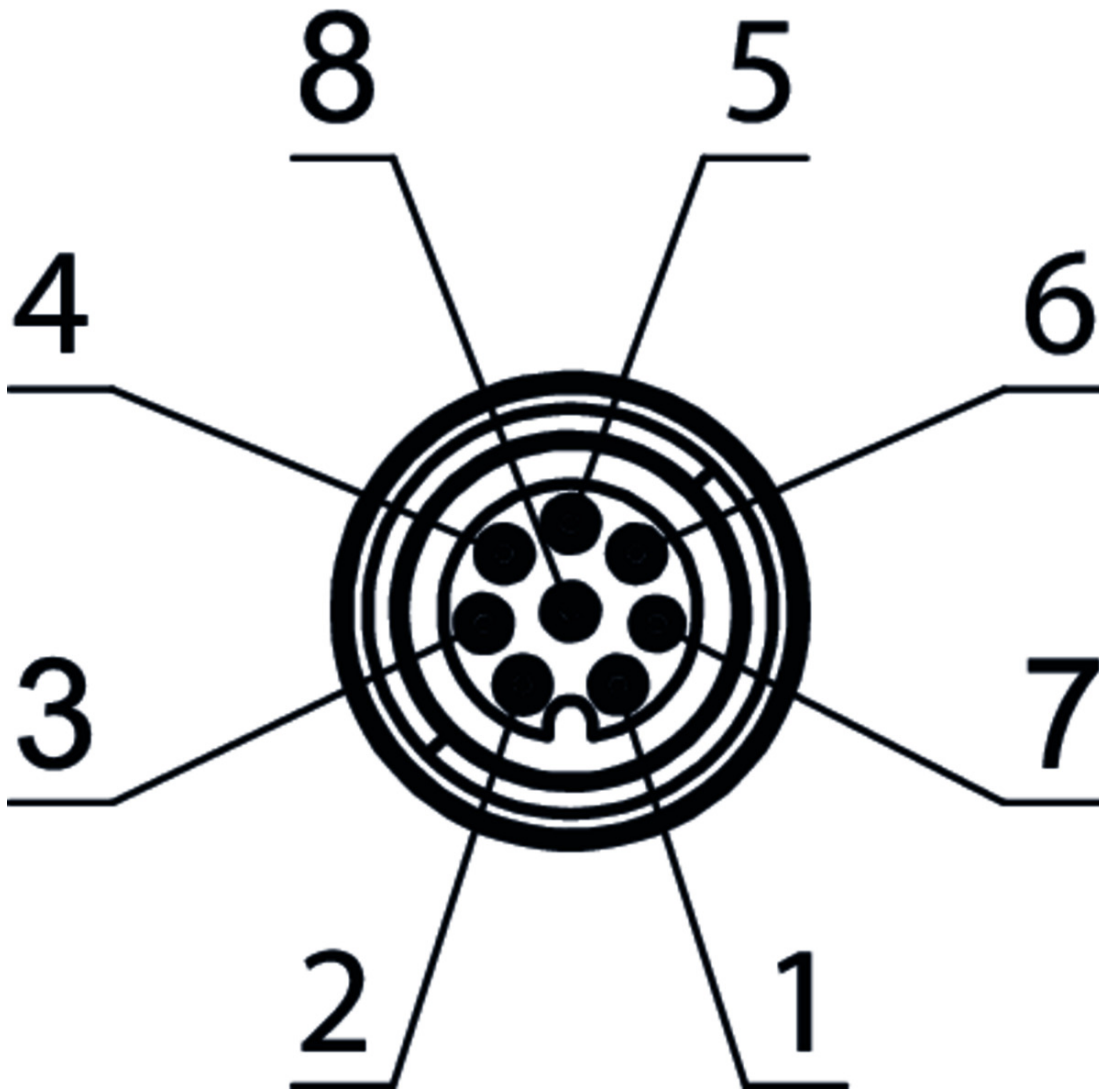
| | |
|--|---------------------|
| Overvoltage category according to IEC EN 60664-1 | III |
| Rated surge voltage according to IEC 60664-1 | 800 V |
| Specific cable resistance | 78 Ω /km |
| Specific inductance | 0,51 mH/km |
| Specific capacitance | 107 nF/km |
| | Connection 1 |
| Degree of contamination according to EN 60664-1 | 3 |

[1] In the inserted state

Dimension drawing



Terminal assignment



Catalogs

- ✓ Light grids and light curtains LCA Barreras fotoeléctricas y cortinas fotoeléctricas LCA Barrières photoélectriques et rideaux lumineux LCA Lichtgitter und Lichtvorhänge LCA

| | Doc. no. | Version | Language | Download |
|---|----------|----------|----------|----------|
| Lichtgitter und Lichtvorhänge LCA | 157084 | 03-03/18 | | 2.5 MB |
| Barrières photoélectriques et rideaux lumineux LCA | 157086 | 03-03/18 | | 2.5 MB |
| Barreras fotoeléctricas y cortinas fotoeléctricas LCA | 157087 | 03-03/18 | | 2.5 MB |
| Light grids and light curtains LCA | 157085 | 03-03/18 | | 2.5 MB |

- ✓ Transpondercodierte Sicherheitsschalter - Verriegelungseinrichtungen und Zuhaltungen
Transponder-coded safety switches - Interlocking devices and guard locking devices
Interruptores de seguridad con codificación por transponder - Dispositivos de enclavamiento y bloqueos
Interrupteurs de sécurité à codage par transpondeur - Dispositifs de verrouillage et interverrouillages

| | Doc. no. | Version | Language | Download |
|---|-----------------|----------------|---|--|
| Transpondercodierte Sicherheitsschalter - Verriegelungseinrichtungen und Zuhaltungen | 127594 | 02-01/18 |  |  5.2 MB |
| Interrupteurs de sécurité à codage par transpondeur - Dispositifs de verrouillage et interverrouillages | 137558 | 02-01/18 |  |  5.2 MB |
| Interruptores de seguridad con codificación por transponder - Dispositivos de enclavamiento y bloqueos | 137560 | 02-01/18 |  |  5.2 MB |
| Transponder-coded safety switches - Interlocking devices and guard locking devices | 127595 | 02-01/18 |  |  5.1 MB |