

ITEM 098646 NZ2PB-511SVM5L060GE

| Description | Technical data | Accessories | Downloads |
|-------------|----------------|-------------|-----------|
|-------------|----------------|-------------|-----------|



Features

- › Version A according to EN 50041 (plastic roller \varnothing 18 mm)
- › Plug connector M12
- › LED indicator

Switching direction

- › Right, left or both sides

Lever arm adjustment

Lever arm length can be adjusted from 28 mm to 78 mm in steps of 12.5 mm.

LED function display

A function display is available for the following voltage range:

- › AC/DC 12-60 V yellow

Switching element

511 Snap-action switching contact 1 NC \ominus + 1 NO

Approvals



Mechanical values and environment

| | |
|--|-------------------------------|
| Contact bounce time | max.3 ms |
| Contact closing time | max.4 ms |
| Housing material | Anodized die-cast alloy |
| Weight | Net 0,3 kg |
| Ambient temperature | -25 ... 80 °C |
| Degree of protection | IP67 [1] |
| Mechanical life | 30 x 10 ⁶ |
| Contact material | Silver alloy, gold flashed |
| Switching principle | Snap-action switching contact |
| Installation position | Any |
| Number of door position positively driven contacts | 1 |
| Number of NO contacts | 1 |
| Connection | 1 x Plug connector M12 [2] |
| Approach speed | max. 0,5 ... 120 m/min |
| Actuating element Plain bearing plastic | Lever arm adjustable [3] |
| Actuating force | min.15 N |

Electrical connection ratings

| | |
|---|------------------------------|
| Rated thermal current I _{th} | 4 A |
| Utilization category according to EN 60947-5-1 | AC-15 4A 30V DC-13 4A 24V |
| Short circuit protection according to IEC 60269-1 | (Fuse) 4A gG |
| Rated insulation voltage U _i | 50 V |
| Rated impulse withstand voltage U _{imp} | 1,5 kV |
| Switching current | Min. at DC 24V 10 mA |
| Display module | |

AC/DC 12 ... 60 V 60 V LED yellow

Reliability values acc. to EN ISO 13849-1

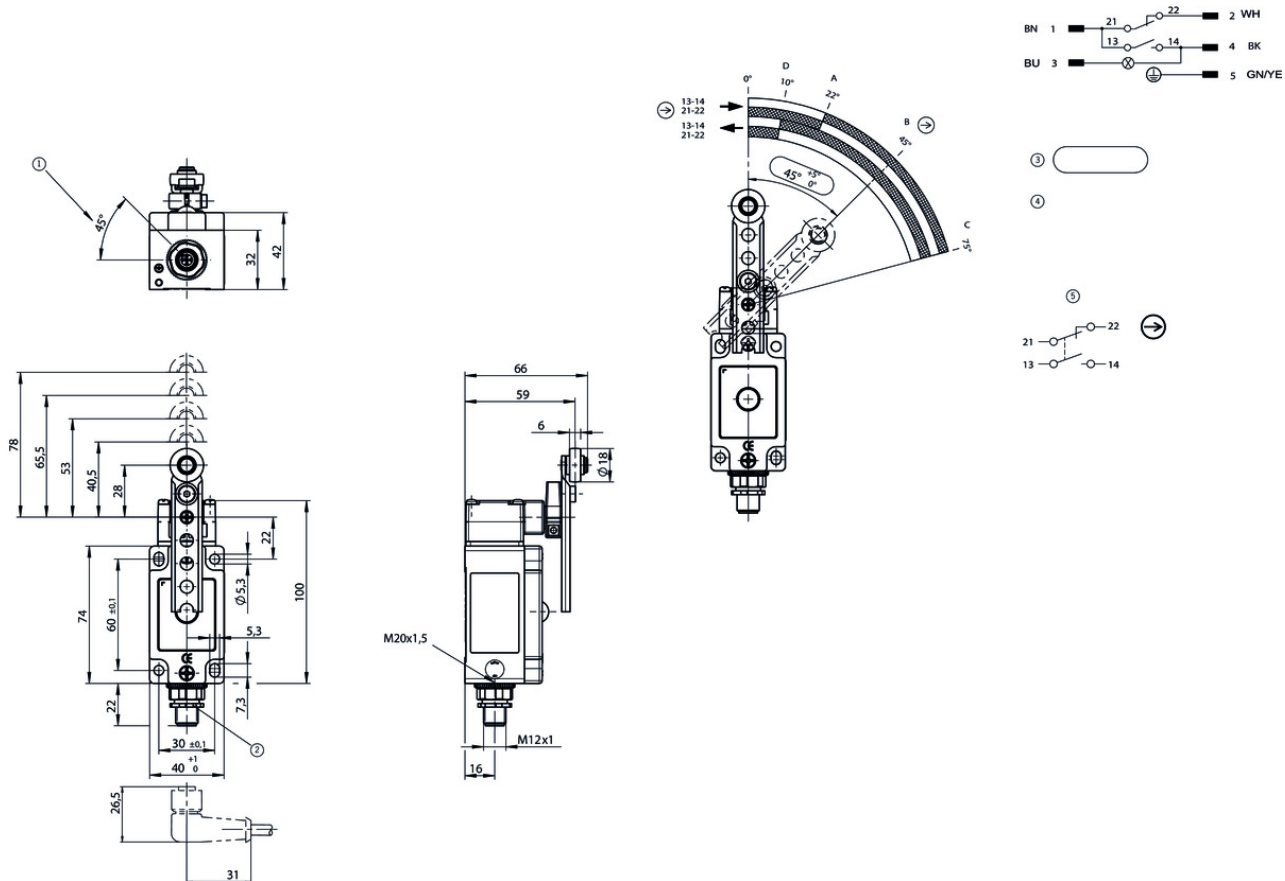
| | Monitoring of the safety guard position |
|------------------|--|
| B10 _D | 20 x 10 ⁶ |

[1] Only in the screwed tight state with the relating mating components.

[2] 5-pin

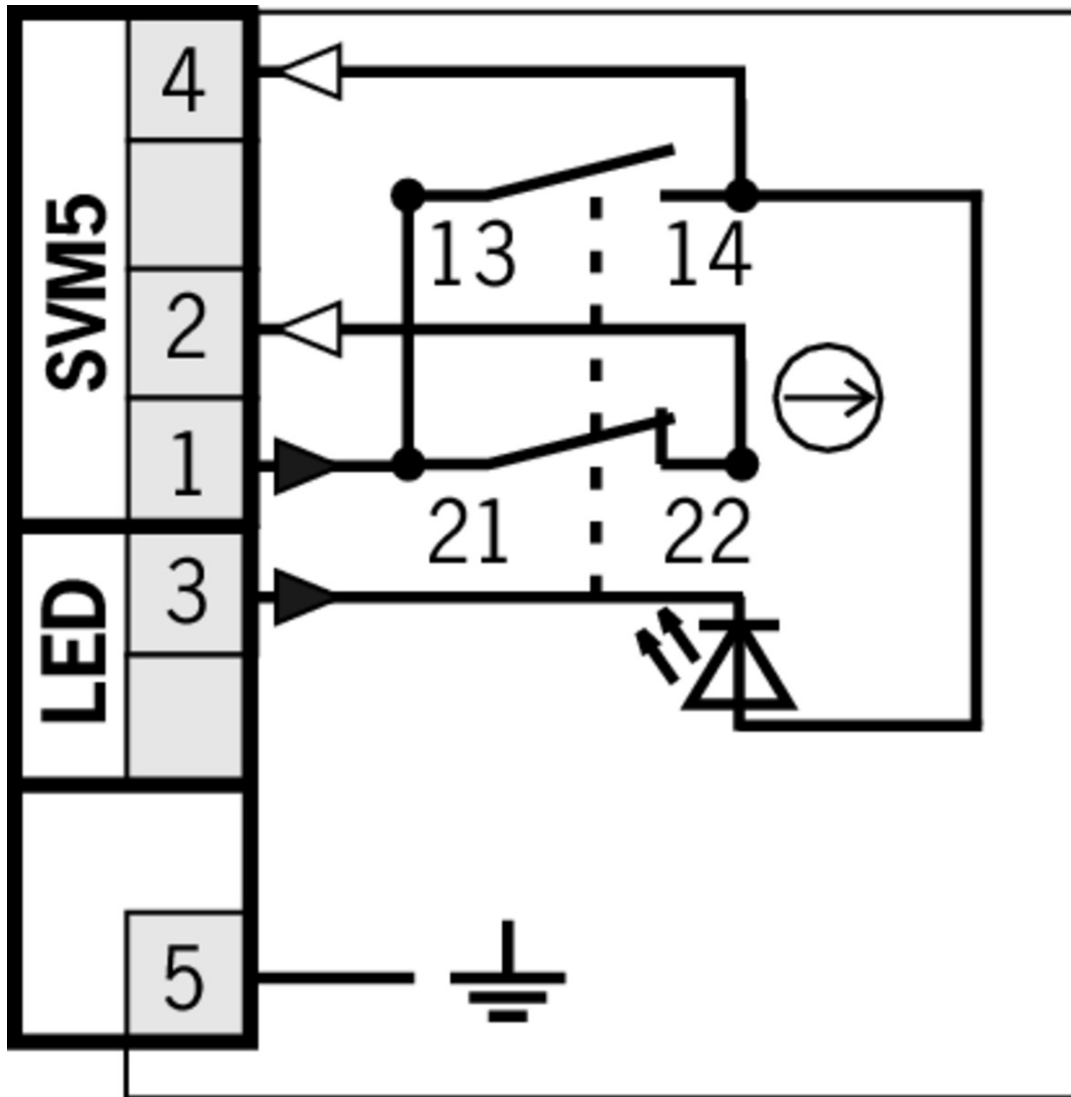
[3] d roller = 18 mm length 28 - 78 mm

Dimension drawing



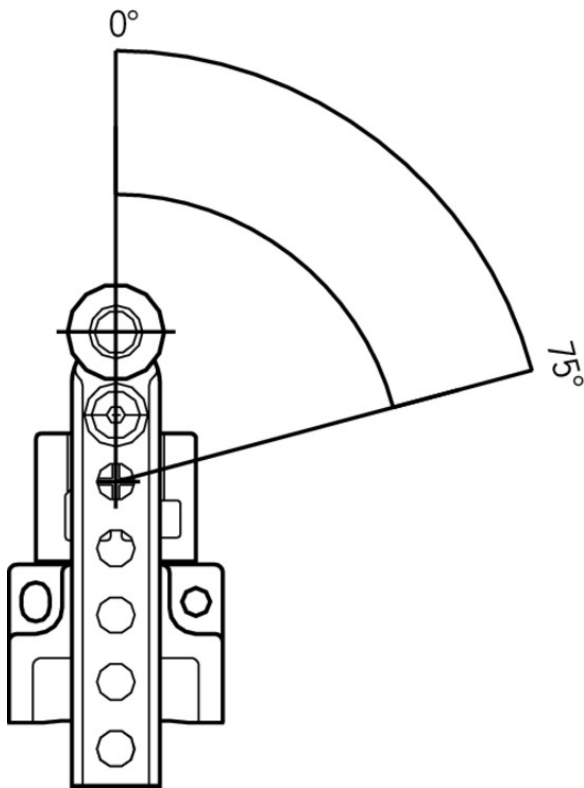
Legende

- 1 Guide lug aligned
- 2 Male socket adjustable (max. 270°)
- 3 Positive opening function is dependent on maintaining this distance.
- 4 Actuator (dog) must be positively mounted on the machine. Switch can be replaced only with the same type.
- 5 Switching element ES511 snap-action contact element 1 NO contact + 1 NC contact, NC contact positive opening
- A =Operating point
- B =Positively driven travel
- C =End position
- D =Reset point

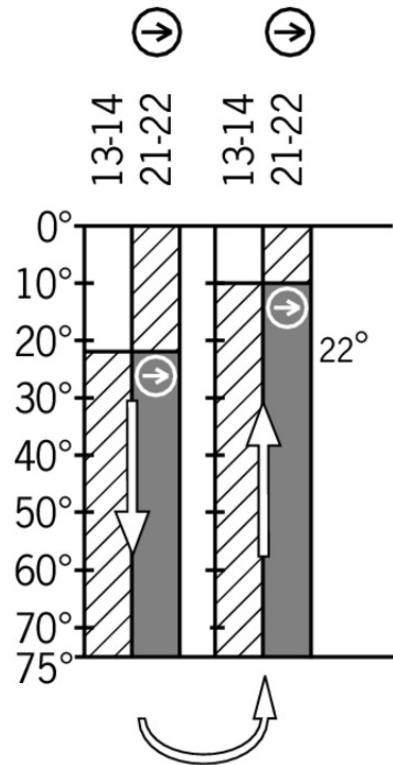


Travel diagram




NZ...PS
NZ...PB



511



Legende

-  Contacts closed
-  Contacts open
-  Contacts positively driven

Connection material

-  Connection cable with straight plug connector M12, 5-pin, 5m



073461 C-M12F05-05X050PU05,0-GA-073461

Features

- › M12 female plug, 4-pin + PE
- › Straight plug connector
- › PUR cable
- › Halogen-free
- › Cable length 5 m
- › With flying lead
- › Cores color-coded

- Connection cable with angled plug connector M12, 5-pin, 5m



073462 C-M12F05-05X050PU05,0-GA-073462

Features

- M12 female plug, 4-pin + PE
- Angled plug connector
- PUR cable
- Halogen-free
- Cable length 5 m
- With flying lead
- Cores color-coded

Instructions

- Betriebsanleitung Sicherheitsschalter NZ.H/P

| | Doc. no. | Version | Language | Download |
|--|----------|----------|------------------|----------|
| Betriebsanleitung Sicherheitsschalter NZ.H/P Manual de instrucciones Interruptores de seguridad NZ.H/P Mode d'emploi Interrupteur de sécurité NZ.H/P Istruzioni di impiego Finecorsa di sicurezza NZ.H/P Operating Instructions Safety Switch NZ.H/P | 074550 | 11-12/16 | | 2.1 MB |
| Instrukcja obsługi Wyłącznik bezpieczeństwa NZ.H/P | 074550 | 11-12/16 | | 0.5 MB |
| Инструкция по эксплуатации Предохранительный выключатель NZ.H/P | 074550 | 11-12/16 | | 0.6 MB |
| Návod na prevádzku Bezpečnostný spínač NZ.H/P | 074550 | 11-12/16 | | 0.5 MB |

Declaration of conformity

- EU prohlášení o shodě

| | Doc. no. | Version | Language | Download |
|--|----------|----------|----------------------------------|----------|
| EU-Konformitätserklärung Declaración UE de conformidad Déclaration UE de conformité Dichiarazione di conformità EU declaration of conformity | 2077153 | 25-02/17 | | 0.3 MB |
| EU prohlášení o shodě EU-overensstemmelseserklæring Δήλωση συμμόρφωσης της ΕΕ EU-vaatimustenmukaisuusvakuutus EU-típusbizonyítvány EU-conformiteitsverklaring Deklaracja zgodności UE Declaração de Conformidade UE Declarația de conformitate UE EÚ vyhlásenie o zhode | 2077153 | 25-02/17 | | 0.5 MB |