

**ITEM 105807 NZ2HS-511SVM5L060GEC2273**

Description	Technical data	Accessories	Downloads
-------------	----------------	-------------	-----------



**Features**

- › Version A according to EN 50041(steel roller ø 18 mm)
- › Plug connector M12
- › LED indicator

**Switching direction**

- › Right, left or both sides

**Switching element**

**511** Snap-action switching contact 1 NC $\rightarrow$  + 1 NO

**Approvals**



## Mechanical values and environment

Housing material	Anodized die-cast alloy
Weight	
Net	0,3 kg
Ambient temperature	-25 ... 80 °C
Degree of protection	IP67
Mechanical life	$30 \times 10^6$
Contact material	Silver alloy, gold flashed
Switching principle	Snap-action switching contact <b>[1]</b>
Installation position	Any
Number of door position positively driven contacts	1
Number of NO contacts	1
Connection	
1 x	Plug connector M12 <b>[2]</b>
Approach speed	
max.	0,1 ... 60 m/min
Actuating element	
Plain bearing metal	Lever arm <b>[3]</b>
Actuating force	min.15 N

## Electrical connection ratings

Rated thermal current $I_{th}$	4 A
Utilization category according to EN 60947-5-1	
AC-15	4A 30V
DC-13	4A 24V
Short circuit protection according to IEC 60269-1	
(Fuse)	4A gG
Rated insulation voltage $U_i$	50 V
Rated impulse withstand voltage $U_{imp}$	1,5 kV
Switching current	
Min. at DC 24V	10 mA
Display module	
AC/DC	12 ... 60 V 60 V LED yellow

## Miscellaneous

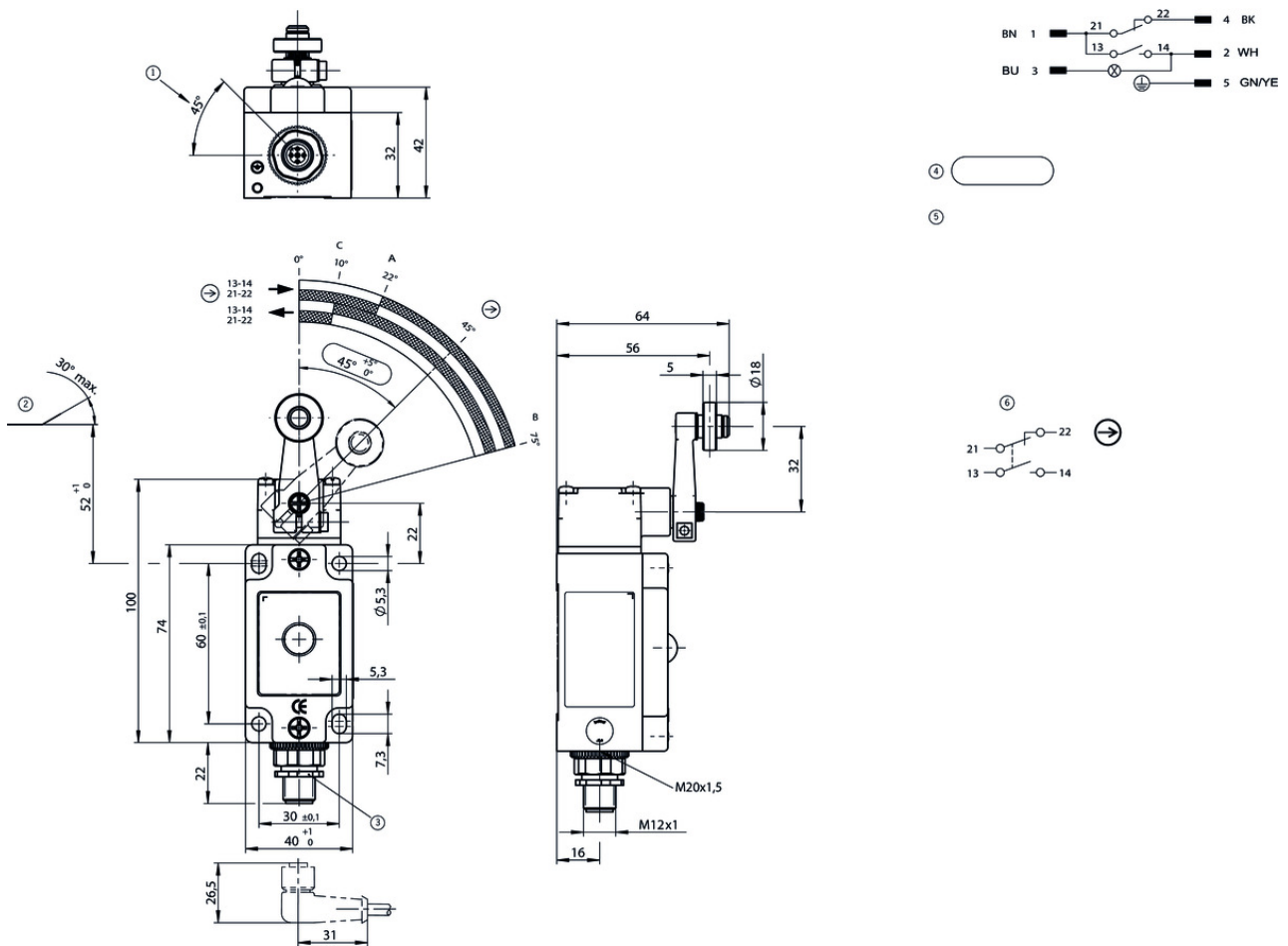
C number	
C2273	<b>[4]</b>

## Reliability values acc. to EN ISO 13849-1

	<b>Monitoring of the safety guard position</b>
B10D	$20 \times 10^6$

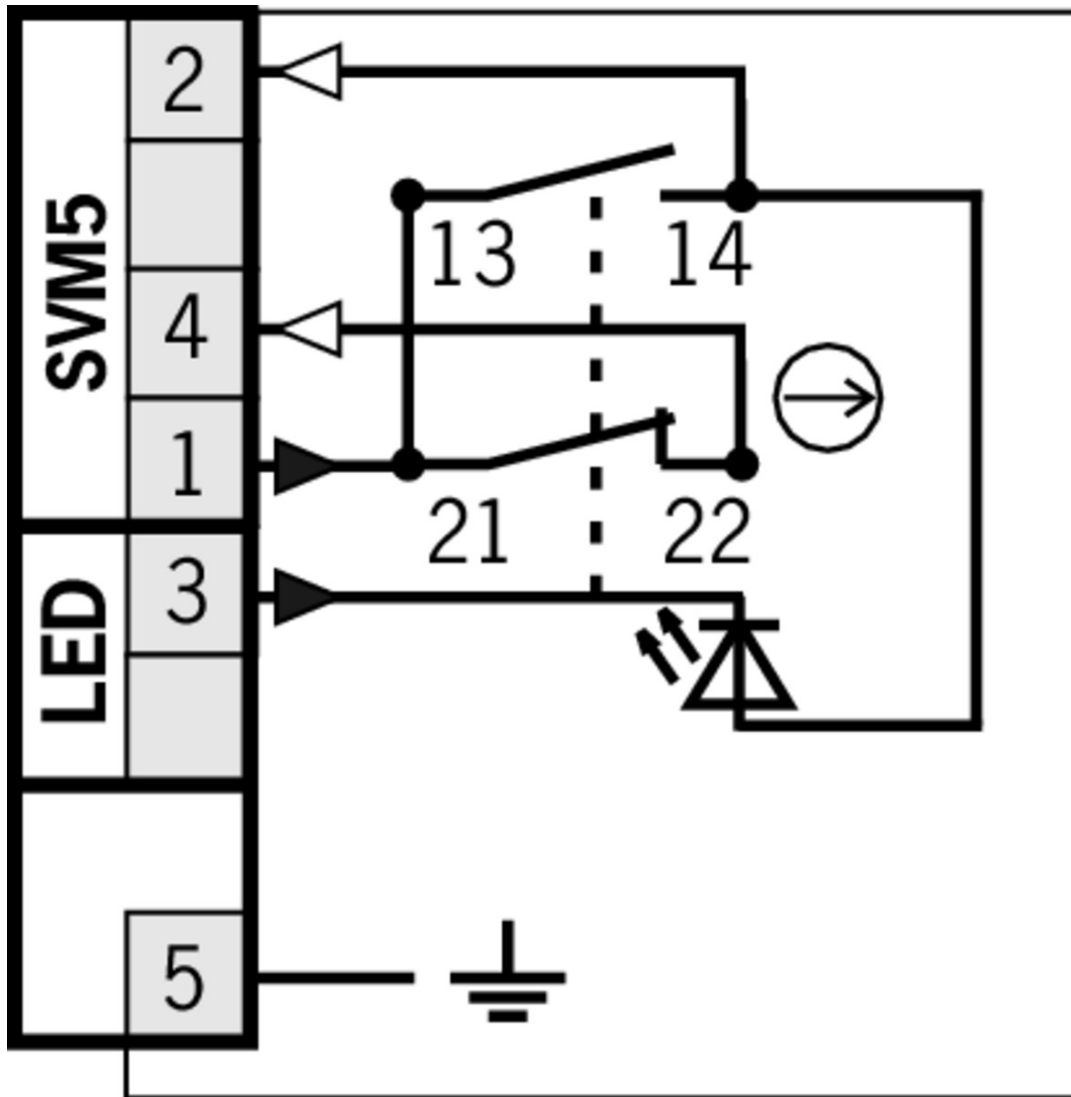
- [1] Contact closing time <4 contact bounce time <3
- [2] 5-pin
- [3] d roller = 18 mm length 32 mm
- [4] Special wiring

### Dimension drawing



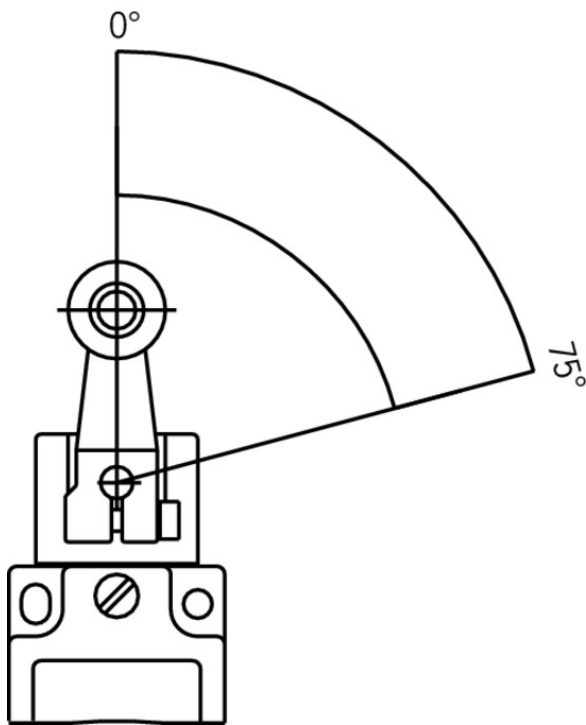
### Legende

- 1 Guide lug aligned
- 2 Dog
- 3 Male socket adjustable (max. 270°)
- 4 Positive opening function is dependent on maintaining this distance.
- 5 Actuator (dog) must be positively mounted on the machine. Switch can be replaced only with the same type.
- 6 Switching element ES511 snap-action contact element 1 NO contact + 1 NC contact, NC contact positive opening
- A =Operating point
- B =End position
- C =Reset point

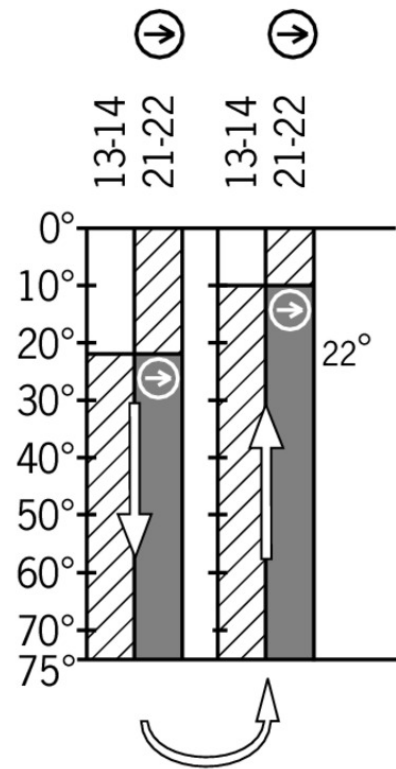


## Travel diagram




**NZ...HS**  
**NZ...HB**



**511**



## Legende

-  Contacts closed
-  Contacts open
-  Contacts positively driven

## Spare parts

-  Lever arm with steel roller




**012043** NHS ROLLENHEBEL

-  Features

- › Steel roller Ø18mm

## Connection material

-  Connection cable with straight plug connector M12, 5-pin, 5m



**073461** C-M12F05-05X050PU05,0-GA-073461

-  Features

- › M12 female plug, 4-pin + PE
- › Straight plug connector
- › PUR cable
- › Halogen-free
- › Cable length 5 m
- › With flying lead
- › Cores color-coded

☑ Connection cable with angled plug connector M12, 5-pin, 5m



**073462** C-M12F05-05X050PU05,0-GA-073462

☑ Features

- › M12 female plug, 4-pin + PE
- › Angled plug connector
- › PUR cable
- › Halogen-free
- › Cable length 5 m
- › With flying lead
- › Cores color-coded

## Instructions











☑ Betriebsanleitung Sicherheitsschalter NZ.H/P

	Doc. no.	Version	Language	Download
Betriebsanleitung Sicherheitsschalter NZ.H/P Manual de instrucciones Interruptores de seguridad NZ.H/P Mode d'emploi Interrupteur de sécurité NZ.H/P Istruzioni di impiego Finecorsa di sicurezza NZ.H/P Operating Instructions Safety Switch NZ.H/P	074550	11-12/16	    	2.1 MB
Instrukcja obsługi Wyłącznik bezpieczeństwa NZ.H/P	074550	11-12/16		0.5 MB
Инструкция по эксплуатации Предохранительный выключатель NZ.H/P	074550	11-12/16		0.6 MB
Návod na prevádzku Bezpečnostný spínač NZ.H/P	074550	11-12/16		0.5 MB

## Declaration of conformity

☑ EU prohlášení o shodě

	Doc. no.	Version	Language	Download
EU-Konformitätserklärung Declaración UE de conformidad Déclaration UE de conformité Dichiarazione di conformità EU declaration of conformity	2077153	25-02/17	    	0.3 MB

EU prohlášení o shodě	2077153	25-02/17		 0.5 MB
EU-overensstemmelseserklæring				
Δήλωση συμμόρφωσης της ΕΕ				
EU-vaatimustenmukaisuusvakuutus				
EU-típusbizonyítvány				
EU-conformiteitsverklaring				
Deklaracja zgodności UE				
Declaração de Conformidade UE				
Declarația de conformitate UE				
EÚ vyhlásenie o zhode			