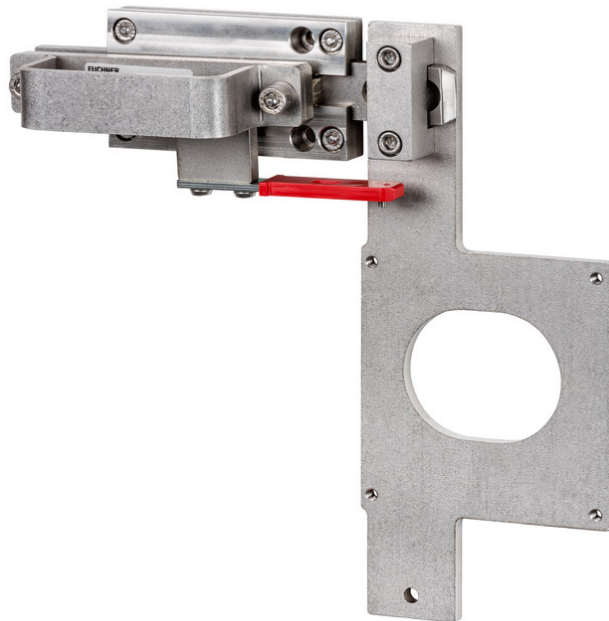


ITEM 117194 RIEGEL TZ-C-NIRO-C2392

Description	Technical data	Accessories	Downloads
-------------	----------------	-------------	-----------



Features

- › Stainless steel bolt
- › For doors hinged on the left
- › Can be locked in open position with padlocks
- › Actuator and switch bracket included

Advantages

- › Robust construction
- › Easily fitted to standard aluminum profiles and machine covers by screw connection
- › No additional door handle necessary

Special features

- › Easy to use

Version in stainless steel

- › Suitable for use in the chemical and foodstuff industries
- › Screw material stainless steel

› Handle and slide strips made of stainless steel

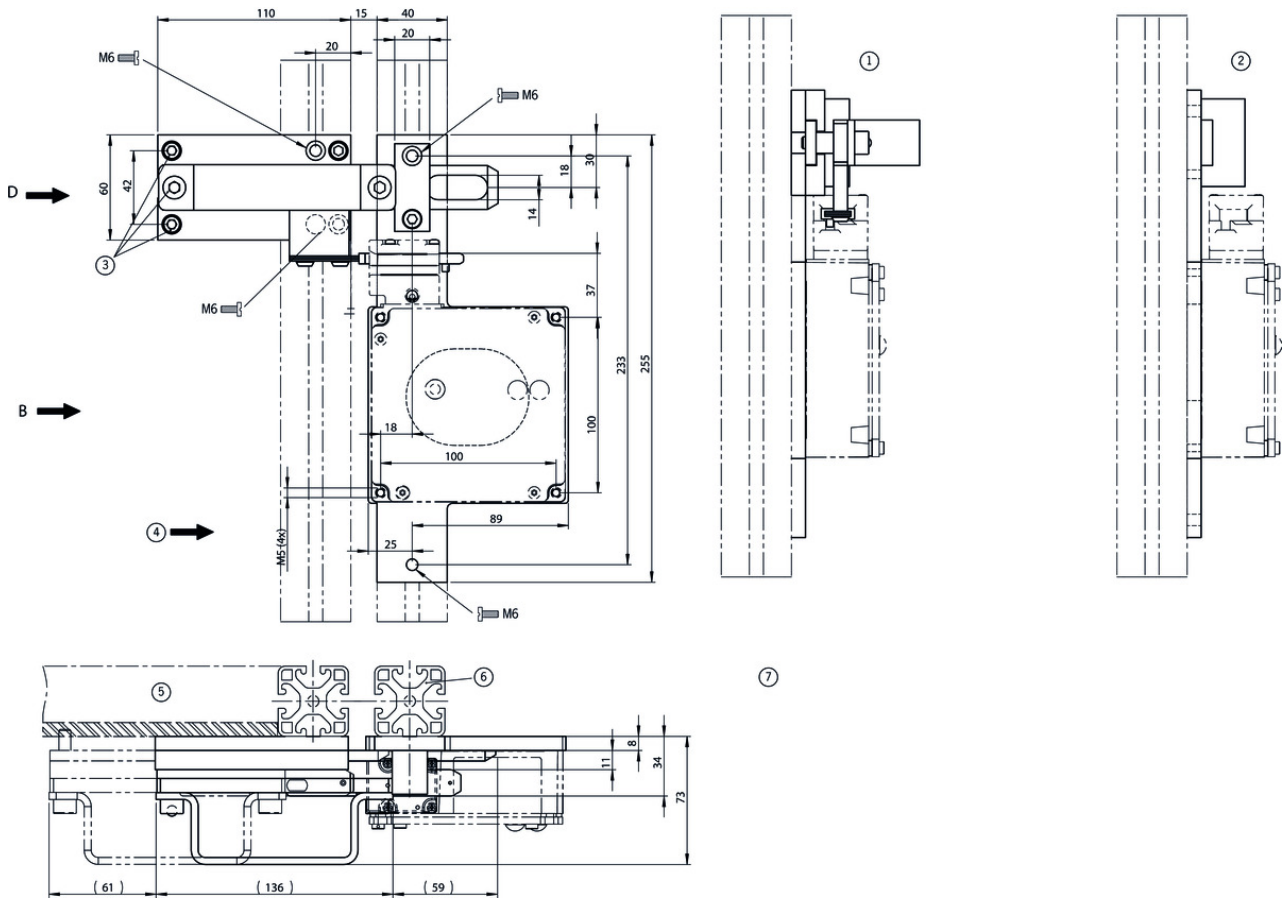
Mechanical values and environment

Material		
	Handle	Stainless steel
	Guide strips	Stainless steel
	Base plate	Stainless steel
	Switch bracket	Stainless steel
Weight		
	Net	2,5 kg
Escape release		No
Number of safety switches that can be fitted		1

Miscellaneous

Detent mechanism		No
------------------	--	----

Dimension drawing



Legende

- 1 View D
- 2 View B
- 3 Screw locked
- 4 Safety switch TZ approach direction C
- 5 Door hinged on the left
- 6 Safety guard frame (40x40)
- 7 Attention! Bolt must not be used in conjunction with an escape release.