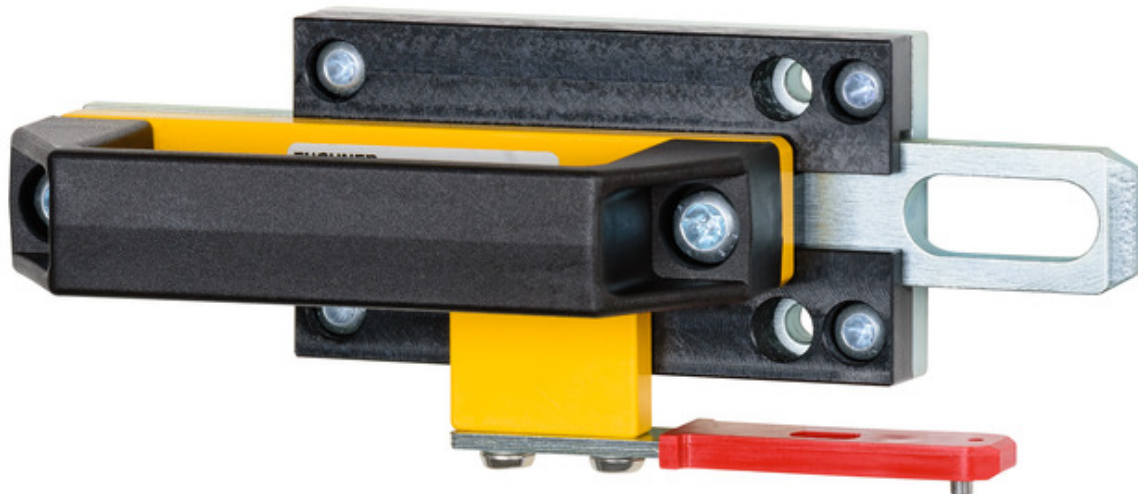


ITEM 116562 RIEGELSCHIEBER/BOLT SLIDE TZ-C

Description	Technical data	Accessories	Downloads
-------------	----------------	-------------	-----------



Features

- › Replacement bolt slider made of steel
- › Actuator included

Advantages

- › Robust construction
- › No additional door handle necessary
- › With upright handle

Special features

- › Easy to use

Mechanical values and environment

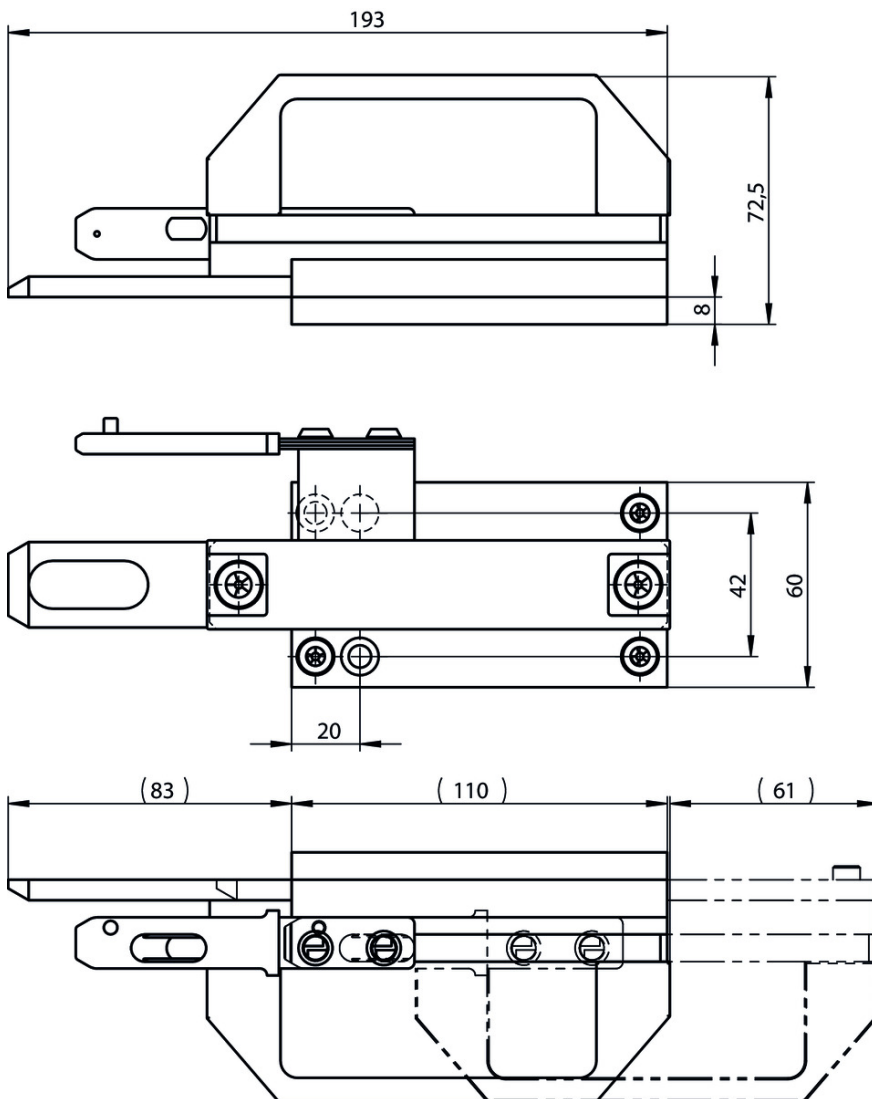
Material	
Handle	Plastic
Guide strips	Plastic

	Base plate	Galvanized steel
	Switch bracket	Steel powder-coated
Weight	Net	1 kg
Escape release		No
Number of safety switches that can be fitted		1

Miscellaneous

Detent mechanism	No
------------------	----

Dimension drawing



Spare parts

- Replacement handle for EUCHNER bolts



093500 RIEGELGRIF/V5

Features

- › Material: plastic, reinforced polypropylene (PP)
- › Color: black, mat
- › Temperature resistance up to 100 °C
- › Packaging unit 5 pieces

Catalogs

- ▼ Sicherheitsschalter mit Metallgehäuse Safety Switches with Metal Housing Bezpečnostní spínače s kovovým pouzdem Interrupteurs de sécurité avec boîtier métallique 金属壳体 的安全开关 Interruptores de seguridad con carcasa metálica

	Doc. no.	Version	Language	Download
Sicherheitsschalter mit Metallgehäuse	100319	11-03/18		7.9 MB
Interrupteurs de sécurité avec boîtier métallique	100676	11-03/18		7.9 MB
Interruptores de seguridad con carcasa metálica	104856	11-03/18		14.0 MB
Safety Switches with Metal Housing	100369	11-03/18		7.9 MB
Bezpečnostní spínače s kovovým pouzdem	121650	11-03/18		7.9 MB
金属壳体 的安全开关	102453	11-03/18		8.2 MB