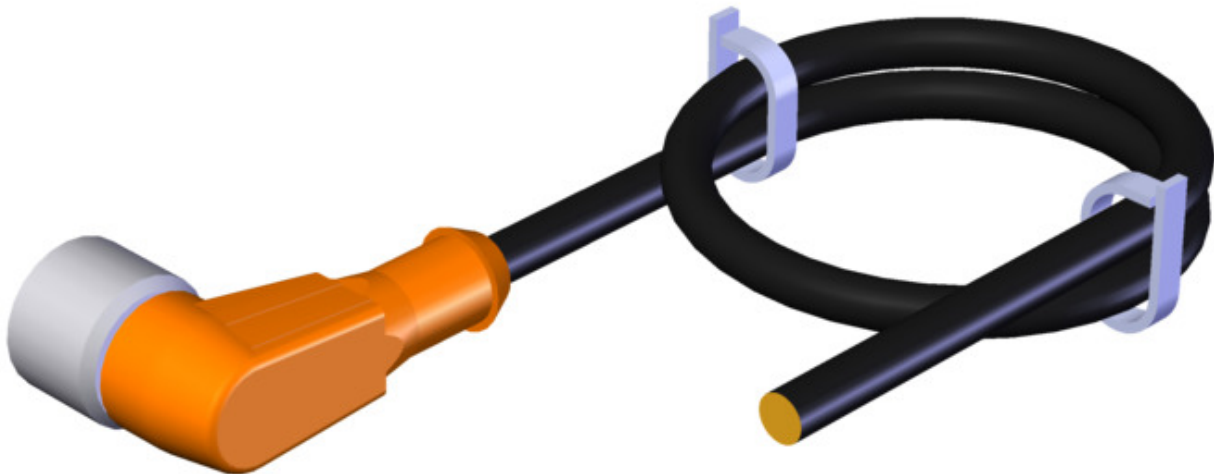


**ITEM 041091 C-M12F04-04X034PU05,0-GA-041091**

Description	Technical data	Accessories	Downloads
-------------	----------------	-------------	-----------



**Features**

- › M12 female plug, 4-pin
- › Angled plug connector
- › PUR cable
- › Halogen-free
- › Cable length 5 m
- › With flying lead
- › Cores color-coded

**Mechanical values and environment**

Sheath material	PUR
Drag chain suitability	Yes
Ambient temperature	
static	-25 ... +80 °C
Dynamic	-25 ... +80 °C
Number of conductors	4
Type of cable	straight
Cable length	5 m

Cable diameter	Approx.	4,7 mm
Conductor cross-section		0.34 mm <sup>2</sup>
Bending radius	static	5 x cable diameter
	Dynamic	10 x cable diameter
<b>Connection 1</b>		
Degree of protection		IP67 [1]
Plug lock material		CuZn
Connection		Plug connectors M12x1
Connection type		Socket
Cable outlet		Angle
Number of pins		4
Plug lock		Screw connection
Plug housing material		TPU
<b>Connection 2</b>		
Conductor end		Trimmed smooth
Connection		Flying lead

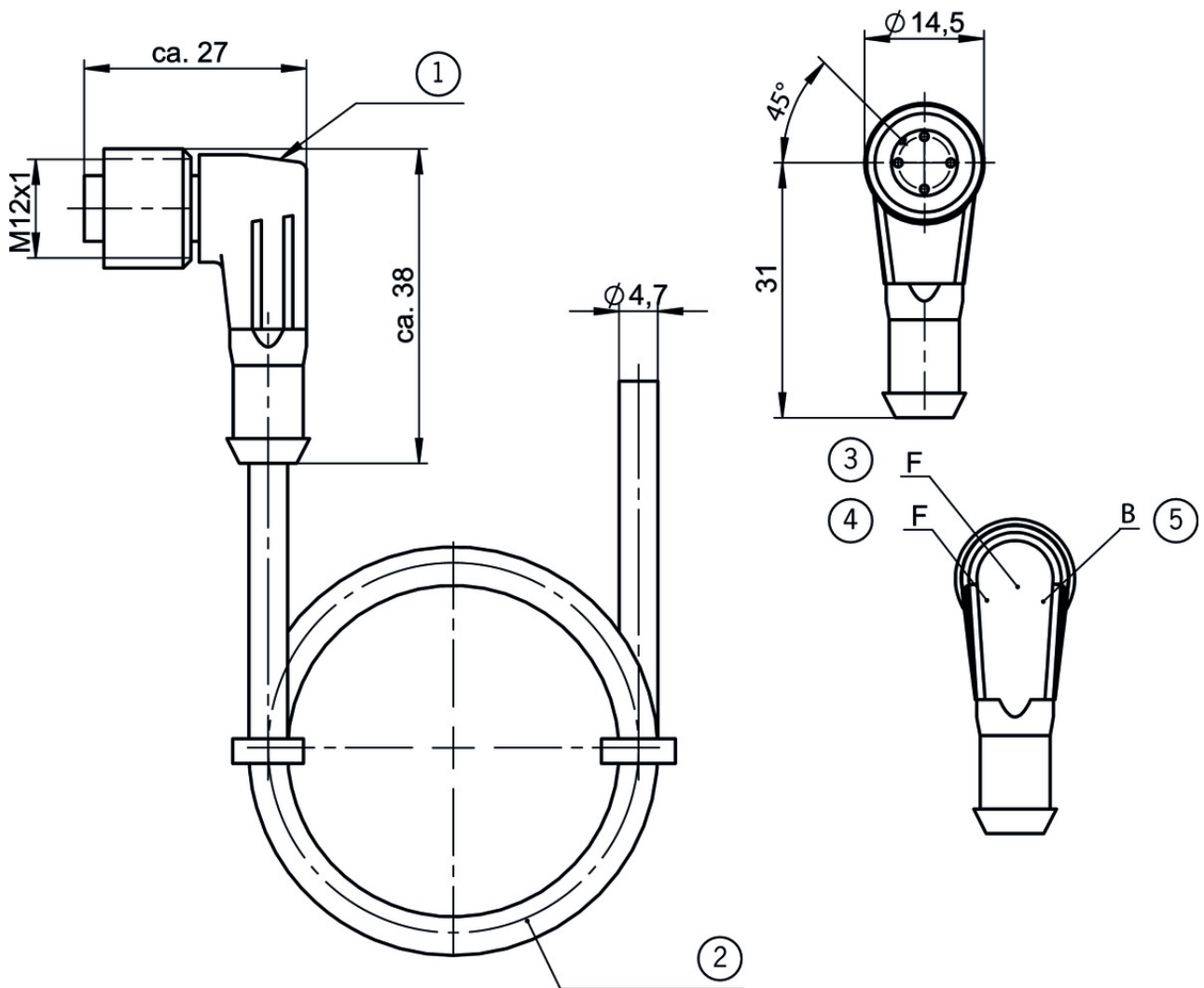
### Electrical connection ratings

Rated voltage	DC	32 V
Test voltage		2 kV [2]
<b>Connection 1</b>		
Degree of contamination according to EN 60664-1		3

[1] Only in the screwed tight state with the relating mating components

[2] eff./60s

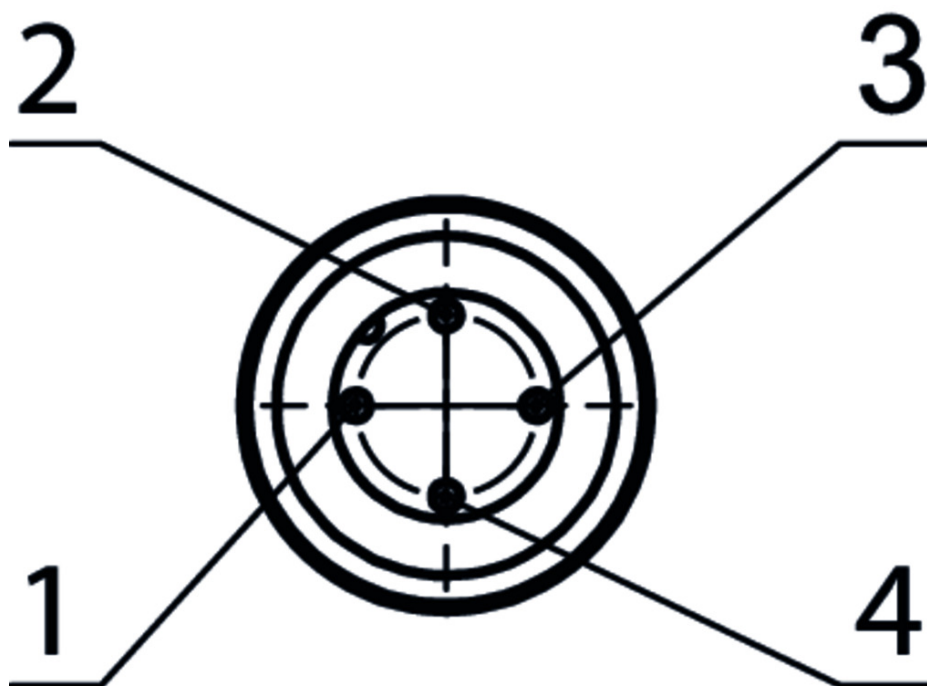
## Dimension drawing



## Legende

- 1 Female plug M12 4-pin
- 2 PUR cable 4x0.34 mm<sup>2</sup>
- 3 F = Function display yellow (NC contact)
- 4 F = Function display yellow (NO contact)
- 5 B = In operation display green



### Wiring diagram (view of connection side)



1 = BN  
2 = WH  
3 = BU  
4 = BK

### Catalogs

- ✓ Positionsschalter und Reihengrenztaster Position Switches and Multiple Limit Switches  
Interrupteurs de position et boîtiers multipistes

	Doc. no.	Version	Language	Download
Positionsschalter und Reihengrenztaster	157835	01-03/18		 4.1 MB
Interrupteurs de position et boîtiers multipistes	157837	01-03/18		 4.1 MB
Position Switches and Multiple Limit Switches	157836	01-03/18		 4.1 MB