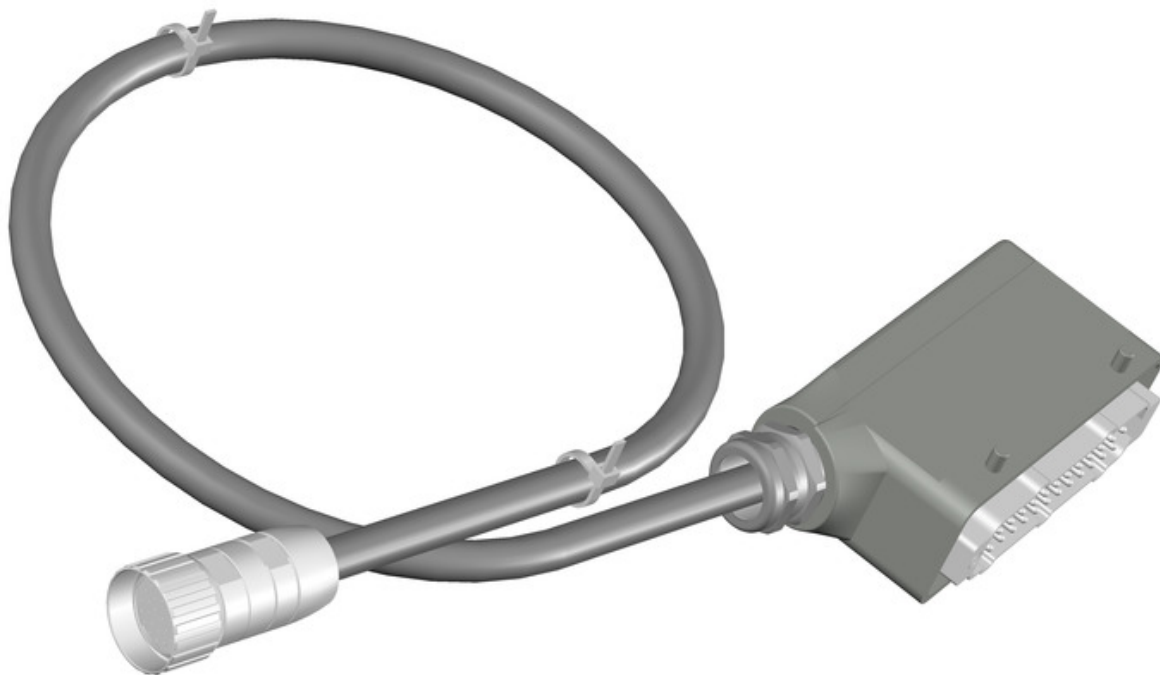


ITEM 114985 C-M27F26-PU01,1-HANM24-114985

Description	Technical data	Accessories	Downloads
-------------	----------------	-------------	-----------



Features

- › M27 female plug (RC26), 26-pin
- › Straight plug connector
- › TPE-U cable
- › Cable length 1.1 m
- › Male plug HAN 24 (Harting), 24-pin
- › Cores numbered, black

Mechanical values and environment

Sheath material	PUR
Conductor insulation material	TPE
Conductor material	EL-Cu flexible wire bare super fine strands
Halogen-free	Yes
Drag chain suitability	Yes
Ambient temperature	
	Dynamic -25 ... +80 °C
	static -25 ... +80 °C

Number of conductors	26
Type of cable	straight
Cable length	0,98 m
Cable diameter	Approx. 11,5 mm
Conductor cross-section	23x 0.5 mm ² + 3x 1 mm ²
Conductor identification	Numeric code
Sheath color	Window gray RAL 7040
Bending radius	Dynamic 10x cable diameter
Connection 1	
Degree of protection	IP65 [1]
Plug lock material	CuZn, nickel-plated
Designation of plug connector	RC
Insertion cycles	50
Connection	Plug connector M27
Connection type	Socket
Cable outlet	straight
Number of pins	26 [2]
Plug lock	Screw connection
Plug housing material	CuZn, nickel-plated
Connection 2	
Degree of protection	IP65 [3]
Designation of plug connector	HAN
Insertion cycles	500
Connection	Plug connector HAN 24
Connection type	Plug
Cable outlet	Angle
Number of pins	24 [4]
Plug lock	Interlocking
Plug housing material	Die-cast aluminum

Electrical connection ratings

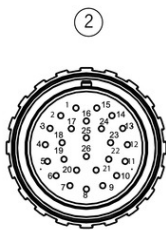
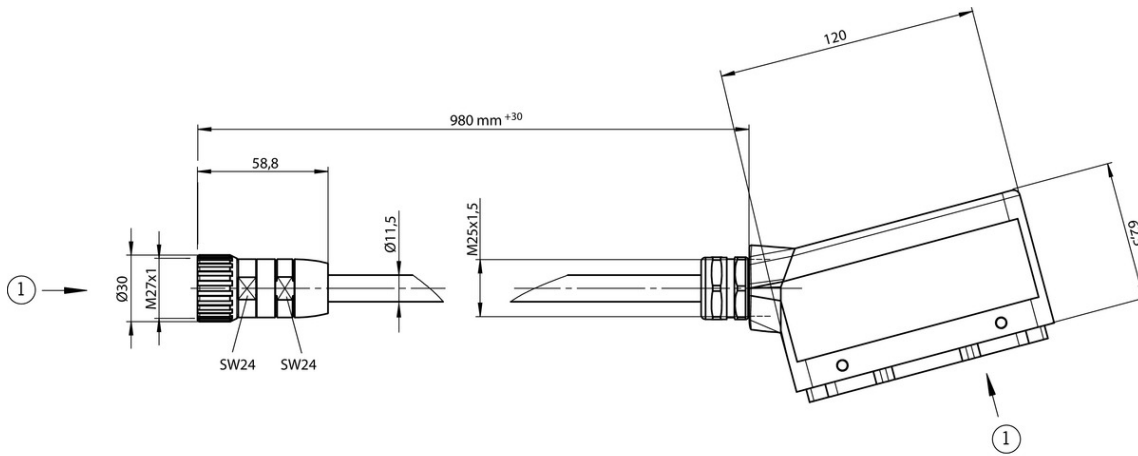
Rated voltage	150 V
Overtoltage category according to IEC EN 60664-1	II
Test voltage	1,5 kV
Connection 1	
Degree of contamination according to EN 60664-1	3
Connection 2	
Degree of contamination according to EN 60664-1	3

[1, 3] Locked

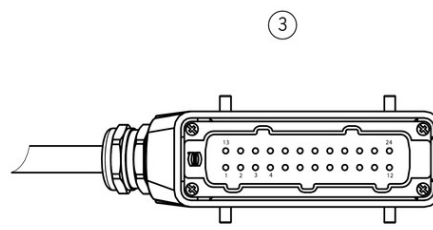
[2] 23+3

[4] 24+PE

Dimension drawing



RC26EF	Quer-schnitt	HAN24
④	⑤	⑥
1	1 ²	1
2		2
3		3
4		4
5		5
6		6
7		7
8		8
9		9
10		—
25		10
11		11
12		12
13		13
14	14	
15	0,5 ²	15
16		16
17		17
18		18
19		19
20		20
21		21
22		22
23		23
24		24
26		—



Legende

1 Pin assignment

2 RC 26 pin assignment M1.2:1 view of plug side (socket)

3 HAN 24 (Harting) pin assignment M1:2 view of plug side (pin)

4 RC26EF

5 Cross-section

6 HAN 24

