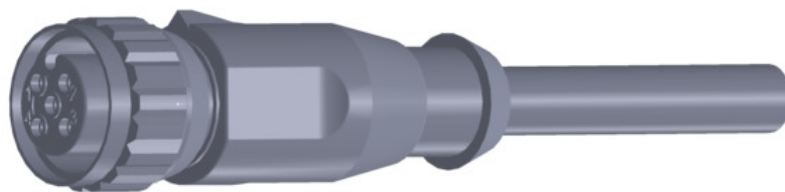


ITEM 136961 C-M12F05-05X034PU10,0-GA-136961

Description	Technical data	Accessories	Downloads
-------------	----------------	-------------	-----------



Features

- › For high temperature up to +150°C
- › M12 female plug, 5-pin
- › Straight plug connector
- › PUR cable
- › Cable length 10 m
- › With flying lead

Mechanical values and environment

Sheath material	TPE (PUR, high temperature)
Drag chain suitability	No
Ambient temperature	
static	-30 ... +150 °C
Dynamic	-30 ... +150 °C
Number of conductors	5
Type of cable	straight
Cable length	10 m

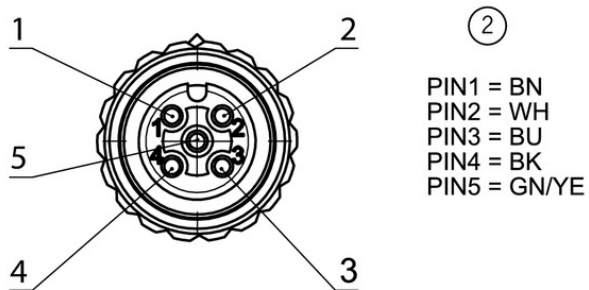
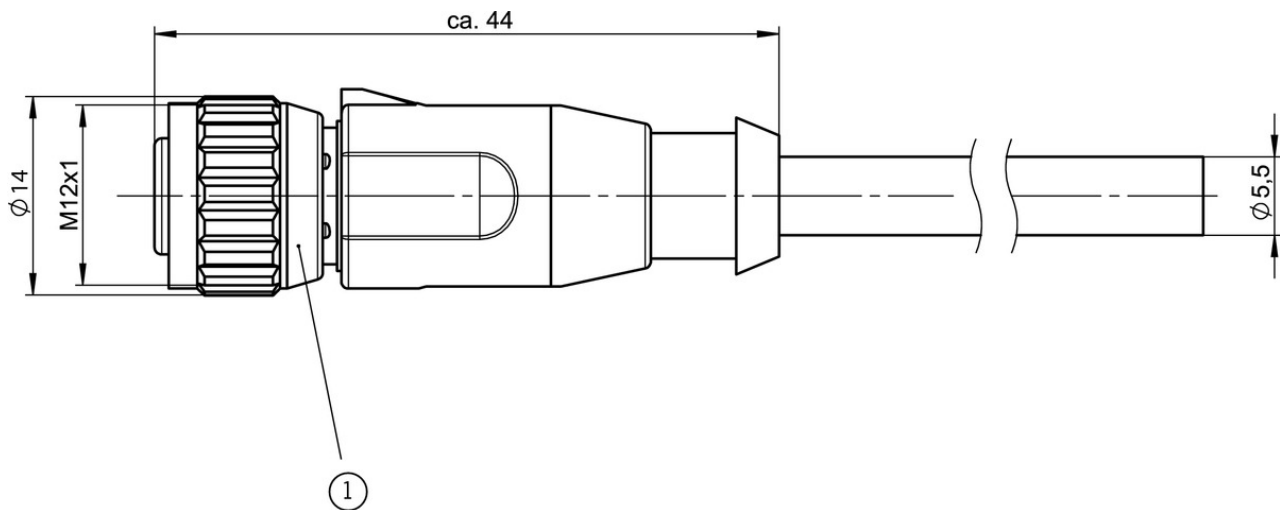
Cable diameter	Approx.	5,5 mm
Conductor cross-section		0.34 mm ²
Conductor identification		Color code
Bending radius	static	min. 15 mm
	Dynamic	min. 30 mm
Connection 1		
Degree of protection		IP65 [1]
Connection		Plug connectors M12x1
Connection type		Socket
Cable outlet		straight
Number of pins		5
Plug lock		Screw connection
Plug housing material		TPE
Connection 2		
Conductor end		Trimmed smooth
Connection		Flying lead

Electrical connection ratings

Nominal current	At 40°C	4 A
Rated voltage		60 V

[1] In the screwed tight state

Dimension drawing



Legende

- 1 Female plug M12x1, 5-pin; coding: A-coded
- 2 Terminal assignment as seen from the connection side

Catalogs

- Positionsschalter und Reihengrenztaster Position Switches and Multiple Limit Switches Interrupteurs de position et boîtiers multipistes

	Doc. no.	Version	Language	Download
Positionsschalter und Reihengrenztaster	157835	01-03/18		4.1 MB
Interrupteurs de position et boîtiers multipistes	157837	01-03/18		4.1 MB
Position Switches and Multiple Limit Switches	157836	01-03/18		4.1 MB