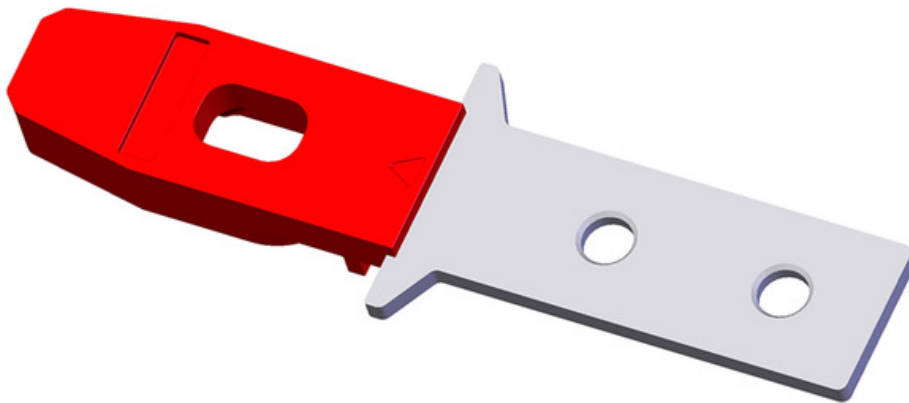


ITEM 136826 A-C-H-G-LS-EX-136826

Description	Technical data	Accessories	Downloads
-------------	----------------	-------------	-----------



Features

- › ATEX version
- › Suitable for usage in zone 2 and 22 (gases and dusts)
- › Straight actuator
- › Two safety screws included

Straight actuator

The straight actuator is used on sliding doors or hinged doors with door radii greater than 300 mm. Safety screws prevent unscrewing of the actuator. The safety screws included can be inserted with a normal tool, but cannot be removed again.

Approvals



Mechanical values and environment

Housing material	Encapsulation	Fiber reinforced plastic, black
	Mounting	Stainless steel
Weight		0,03 kg
Ambient temperature		-20 ... 55 °C
Degree of protection		IP67 / IP69 / IP69K
Mechanical life		1 x 10 ⁶
Installation position		Any
Locking force F _{max}		2600 N
Locking force F _{Zh}		2000 N ^[1]
Overtravel		5 mm

Electrical connection ratings

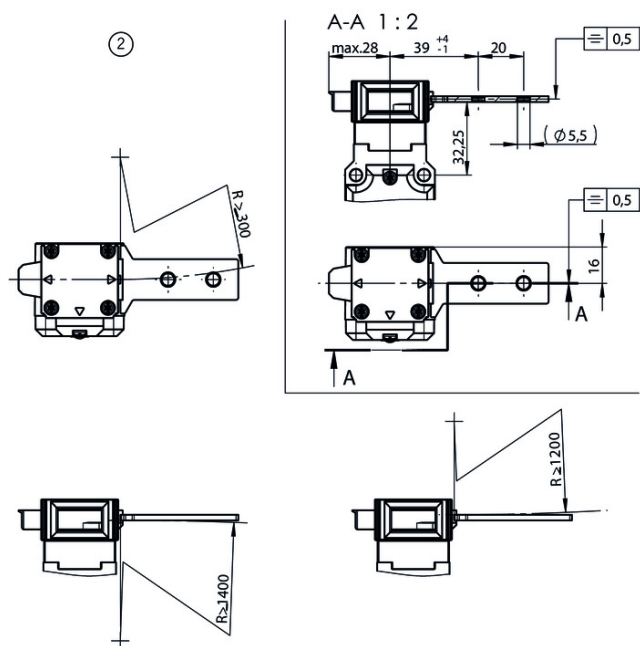
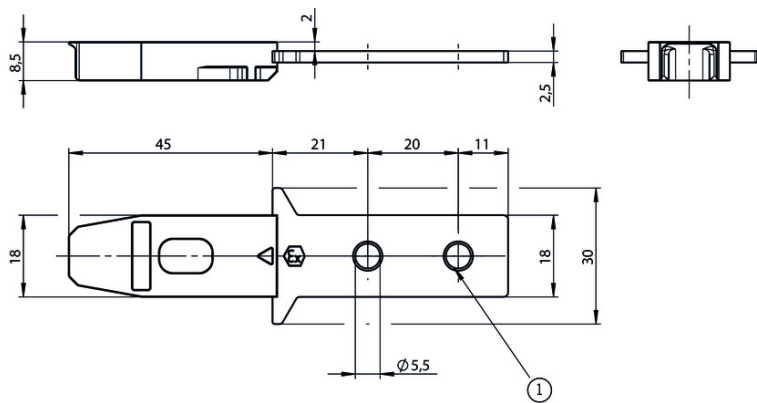
Power supply	Inductive via read head
--------------	-------------------------

Miscellaneous

Explosion protection	II3G Ex ic IIB T4 Gc / II3D Ex ic IIIC T110°C Dc X
----------------------	--

[1] $F_{zh} = F_{max}/1.3$

Dimension drawing



Legende

- 1 2x non-removable screws M5 included
- 2 Min. door radii


Mounting accessories

- ✓ Safety screws for actuators, M5 x 10


073455 M5X10-NIRO/V100 NZ/TZ





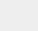
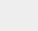


- ✓ Features

- › Safety screws M5 x 10
- › Packaging unit 100 pieces


ATEX - Sicherheitsschalter für explosionsgefährdete Bereiche ATEX - Safety switches for potentially explosive atmospheres ATEX - Interrupteurs de sécurité pour atmosphères explosibles ATEX - Interruptores de seguridad para uso en atmósferas potencialmente explosivas

	Doc. no.	Version	Language	Download
ATEX - Sicherheitsschalter für explosionsgefährdete Bereiche	136804	03-04/17		 1.5 MB
ATEX - Interrupteurs de sécurité pour atmosphères explosibles	136806	03-04/17		 1.5 MB
ATEX - Interruptores de seguridad para uso en atmósferas potencialmente explosivas	136807	03-04/17		 1.5 MB
ATEX - Safety switches for potentially explosive atmospheres	136805	03-04/17		 1.0 MB


Transpondercodierte Sicherheitsschalter - Verriegelungseinrichtungen und Zuhaltungen Transponder-coded safety switches - Interlocking devices and guard locking devices Interruptores de seguridad con codificación por transponder - Dispositivos de enclavamiento y bloqueos Interrupteurs de sécurité à codage par transpondeur - Dispositifs de verrouillage et interverrouillages

	Doc. no.	Version	Language	Download
Transpondercodierte Sicherheitsschalter - Verriegelungseinrichtungen und Zuhaltungen	127594	02-01/18		 5.2 MB
Interrupteurs de sécurité à codage par transpondeur - Dispositifs de verrouillage et interverrouillages	137558	02-01/18		 5.2 MB
Interruptores de seguridad con codificación por transponder - Dispositivos de enclavamiento y bloqueos	137560	02-01/18		 5.2 MB
Transponder-coded safety switches - Interlocking devices and guard locking devices	127595	02-01/18		 5.1 MB