

ITEM 091466 23POL/5M/METALLAUSFUEHRUNG-091466

Description	Technical data	Accessories	Downloads
-------------	----------------	-------------	-----------



Features

- › Extension cable
- › Flange plug connector with socket contacts, 23-pin
- › Plug connector with male contacts, 23-pin
- › Bayonet plug lock
- › PUR cable
- › Cable length 5 m, straight

Mechanical values and environment

Sheath material	PUR
Drag chain suitability	No
Ambient temperature	
Dynamic	-10 ... +70 °C
static	-40 ... +80 °C
Number of conductors	23
Type of cable	straight
Cable length	5 m

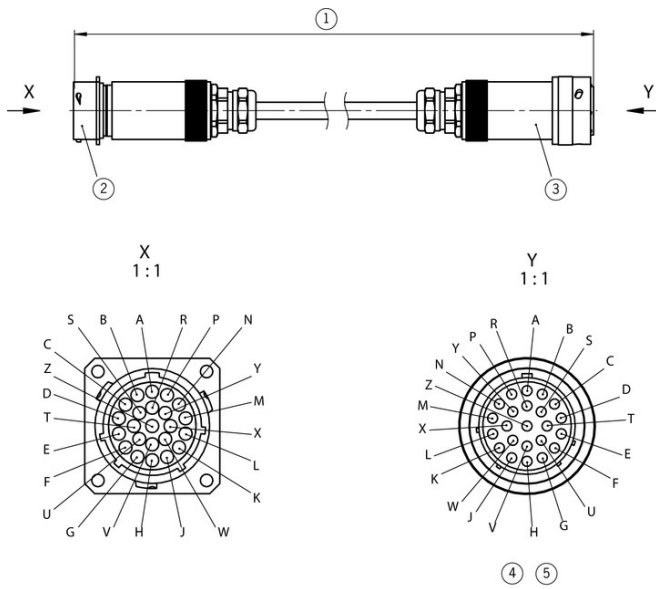
Cable diameter	8,5 mm
Conductor cross-section	6 x 0.34 mm ² + 17 x 0.14 mm ²
Bending radius	
	static ≥ 10 x cable diameter
	Dynamic ≥ 15 x cable diameter
Interlocking	
Flange plug connector/plug connector	Bayonet
	Connection 1
Degree of protection	IP 67 [1]
Designation of plug connector	UT00
Connection	Flange plug connector
Connection type	Socket contacts
Cable outlet	straight
Number of pins	23
Plug lock	Bayonet
	Connection 2
Degree of protection	IP 67 [2]
Designation of plug connector	UT06
Connection	Plug connector
Connection type	Male contact
Cable outlet	straight
Number of pins	23
Plug lock	Bayonet

Electrical connection ratings

Cable shielding	Yes
-----------------	-----

[1, 2] In the inserted state

Dimension drawing



Steckerbelegung:

⑥

Kontakt Pin ⑦	Querschnitt mm ² ⑧	Adernfarbe ⑨
A	0,34	WH
B	0,34	BN
C	0,14	GN
D	0,14	YE
E	0,14	GY
F	0,14	PK
G	0,34	BU
H	0,34	RD
J	0,34	BK
K	0,34	VT
L	0,14	GYPK
M	0,14	RDBU

Steckerbelegung:

⑥

Kontakt Pin ⑦	Querschnitt mm ² ⑧	Adernfarbe ⑨
A	0,34	WH
B	0,34	BN
C	0,14	GN
D	0,14	YE
E	0,14	GY
F	0,14	PK
G	0,34	BU
H	0,34	RD
J	0,34	BK
K	0,34	VT
L	0,14	GYPK
M	0,14	RDBU

Legende

- 1 Cable length
- 2 Flange plug connector with socket contacts
- 3 Plug connector with male contacts
- 4 Wires: 6x0.34mm², 17x0.14 mm² outer screen connected to plug housing
- 5 Plug connector: Number of pins 23, metal housing
- 6 Connector assignment:
- 7 Contact pin
- 8 Cross-section mm²
- 9 Conductor coloring