

ITEM 157696 A-C-H-G-SSS-157696

Description	Technical data	Accessories	Downloads
-------------	----------------	-------------	-----------



Features

- › Stainless-steel version
- › Straight actuator
- › Two safety screws included

Medium-resistant stainless-steel version

Robust, tough and largely media resistant. The actuator consists of high-quality stainless steel, and it is designed for use with the stainless-steel CTP version.

Straight actuator

The straight actuator is used on sliding doors or hinged doors with door radii greater than 300 mm. Safety screws prevent unscrewing of the actuators. The safety screws included can be inserted with a normal tool, but cannot be removed again.

Mechanical values and environment

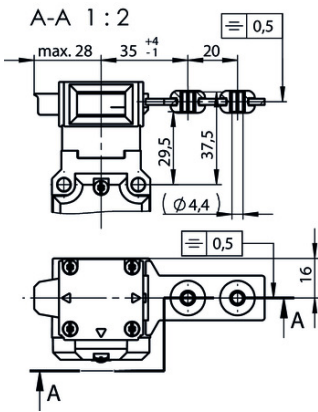
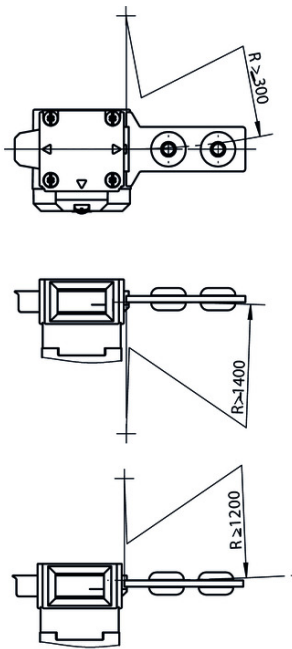
Housing material		
	Encapsulation	Fiber reinforced plastic, red
	Mounting	Stainless steel
	Bush	NBR
	Sleeve	Stainless steel
Weight		0,03 kg
Ambient temperature		-20 ... 55 °C
Degree of protection		IP67 / IP69 / IP69K
Mechanical life		1×10^6
Installation position		Any
Locking force F_{max}		3900 N
Locking force F_{Zh}		3000 N [1]
Overtravel		5 mm

Electrical connection ratings

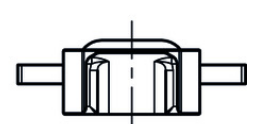
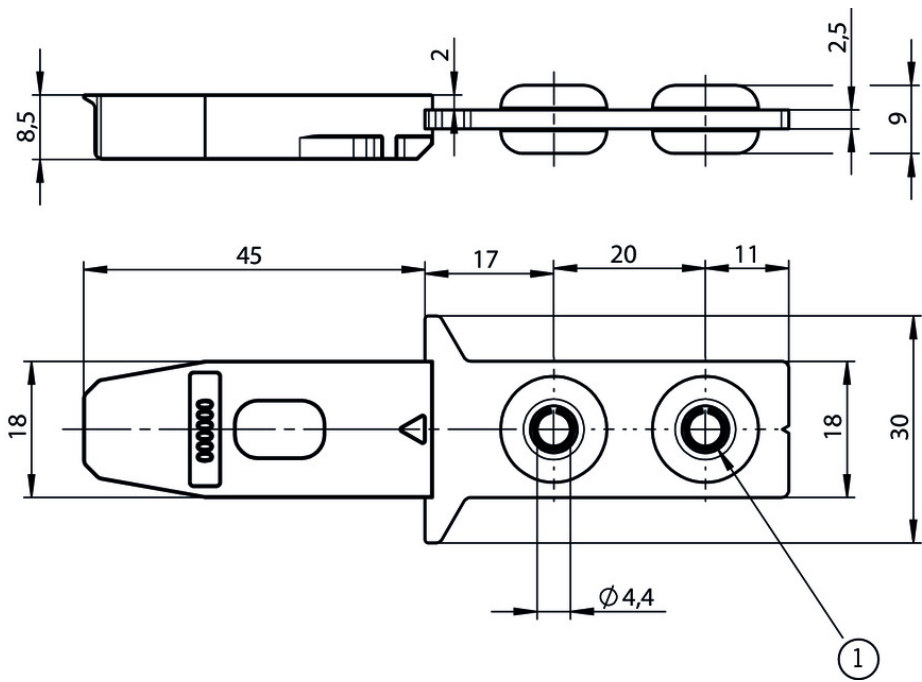
Power supply	Inductive via read head
--------------	-------------------------

[1] $F_{ZH} = F_{MAX}/1.3$

Dimension drawing



Dimension drawing



Mounting accessories

☑ Safety screws M4 x 14

074063 M4X14/V100

☑ Features

- › Safety screws M4 x 14
 - › Packaging unit 100 pieces
-