

ITEM 126062 MSM-1-P-CA-0L0-A3-126062

Description	Technical data	Accessories	Downloads
-------------	----------------	-------------	-----------



Features

- › Function expansion for modules MGB2 and MCM
- › Connection type: P
- › Cover for indicators, white, middle

Approvals



Mechanical values and environment

Material	Fiber glass reinforced plastic
Weight	Net 0,1 kg
Ambient temperature	At $U_B = 24V DC$ -25 ... 55 °C

Degree of protection	IP 65 (IP 20) ^[1]
Resilience to vibration	In acc. with EN 60947-5-3
Installation position	Any

Electrical connection ratings

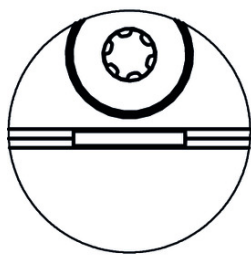
	Controls and indicators
Switching voltage	24 V
Switching current	5 ... 10 mA
Breaking capacity	max.0,25 W
Power supply LED	24 V DC

Controls and indicators

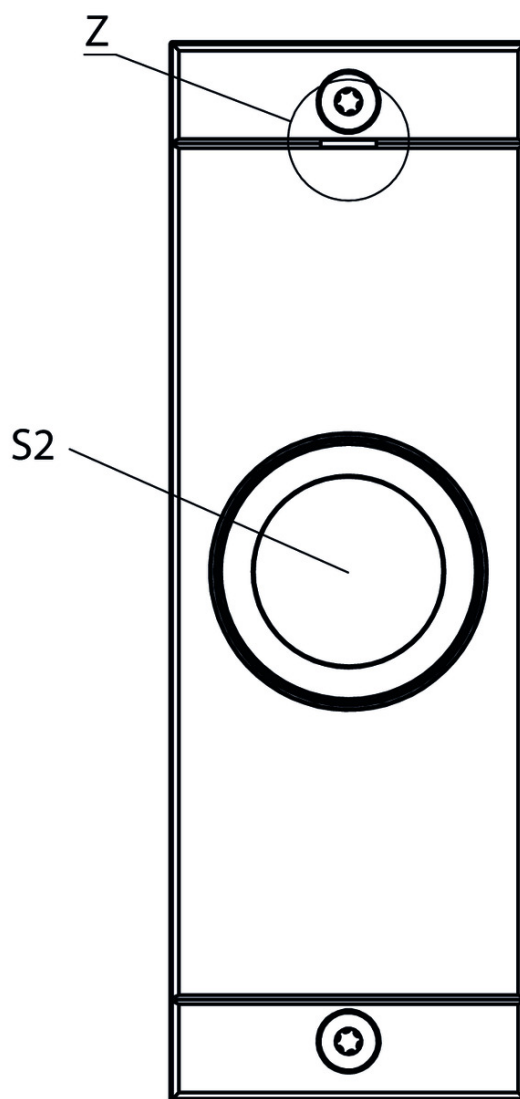
Control/indicator	
Version	Cover for indicators
Color	white
Item	S2

^[1] IP 65: Only in the screwed tight state with the specified base modules.

Dimension drawing



Z 2:1

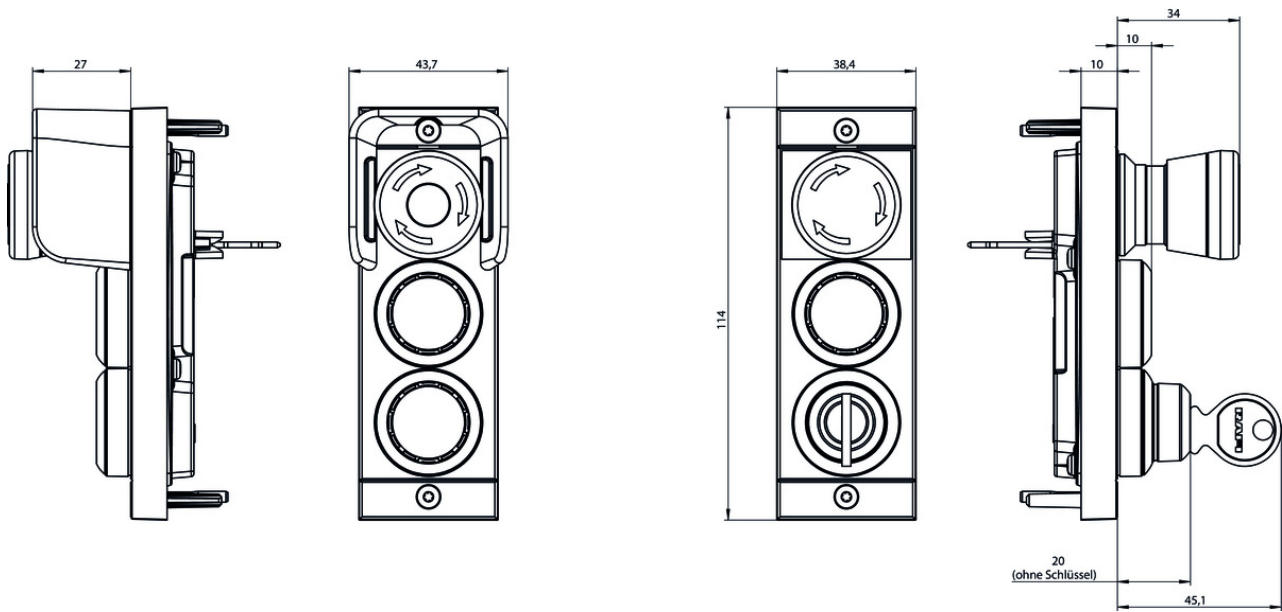


Legende

Z Marks position of S2

S2 Illuminated cover for indicators

Dimension drawing



Catalogs

Multifunctional Gate Box MGB2 Modular Multifunctional Gate Box MGB2 Modular Multifunctional Gate Box MGB2 Modular Multifunctional Gate Box MGB2 Modular

	Doc. no.	Version	Language	Download
Multifunctional Gate Box MGB2 Modular	159037	02-09/18		14.3 MB
Multifunctional Gate Box MGB2 Modular	159050	02-09/18		14.4 MB
Multifunctional Gate Box MGB2 Modular	159051	02-09/18		14.4 MB
Multifunctional Gate Box MGB2 Modular	159039	02-09/18		14.4 MB