

**ITEM 137596 MSM-1-P-DA-M00-A6-137596**

Description	Technical data	Accessories	Downloads
-------------	----------------	-------------	-----------



**Features**

- › Function expansion for modules MGB2 and MCM
- › Connection type: P
- › One plug connector M12 for connecting an enabling switch

**Approvals**



**Mechanical values and environment**

Material	Glass fiber reinforced plastic, die-cast zinc, nickel-plated
Weight	Net 0,1 kg
Ambient temperature	At $U_B = 24V DC$ -25 ... 55 °C

Degree of protection	IP 65 (IP 20) <sup>[1]</sup>
Resilience to vibration	In acc. with EN 60947-5-3
Installation position	Any
Reaction time	See operating instructions for bus module MBM-... or interlocking/locking module MGB2-I.-BR-... / MGB2-L.-BR-...

### Electrical connection ratings

	Controls and indicators
Switching voltage	24 V
Switching current	5 ... 10 mA
Breaking capacity	max.0,25 W

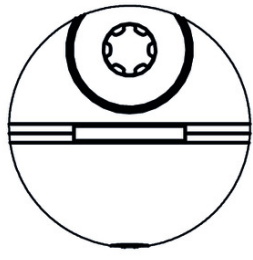
---

### Controls and indicators

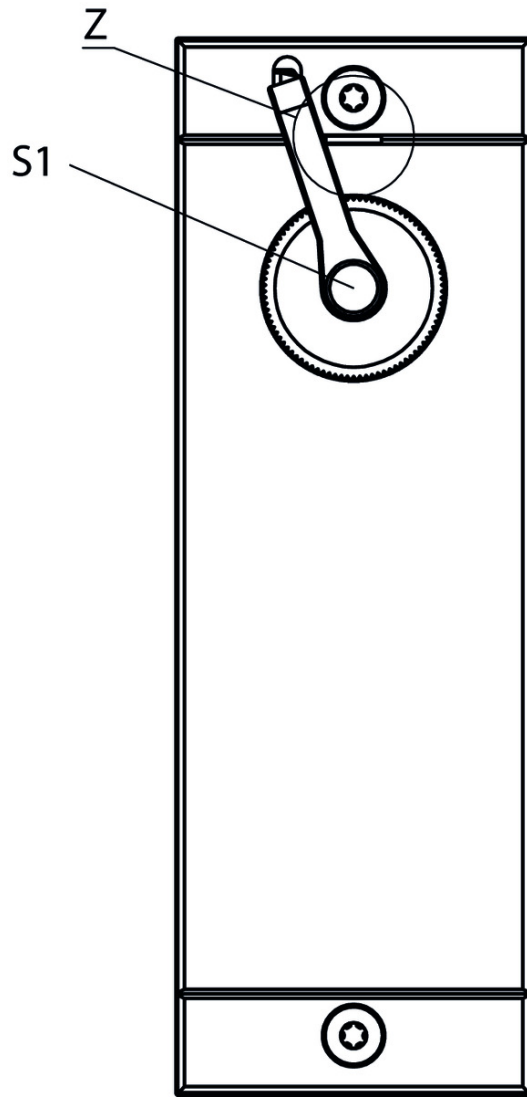
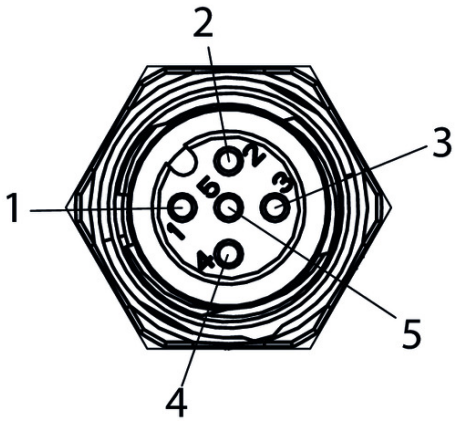
Control/indicator	
Version	Connection M12x1 for enabling switch
Item	S1

<sup>[1]</sup> IP 65: Only in the screwed tight state with the specified base modules.

### Dimension drawing



Z 2:1

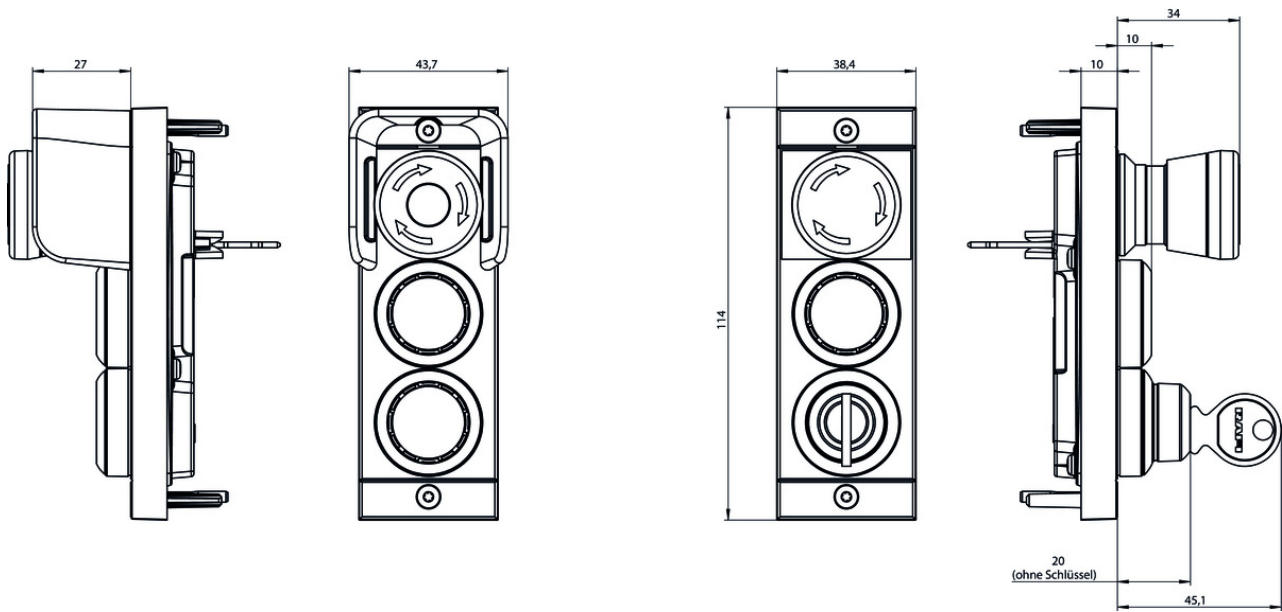


**Legende**

*R* Marks position of S1









*S1* M12 plug connector for connecting an enabling switch

## Dimension drawing



## Catalogs

Multifunctional Gate Box MGB2 Modular Multifunctional Gate Box MGB2 Modular Multifunctional Gate Box MGB2 Modular Multifunctional Gate Box MGB2 Modular

	Doc. no.	Version	Language	Download
Multifunctional Gate Box MGB2 Modular	159037	02-09/18		 14.3 MB
Multifunctional Gate Box MGB2 Modular	159050	02-09/18		 14.4 MB
Multifunctional Gate Box MGB2 Modular	159051	02-09/18		 14.4 MB
Multifunctional Gate Box MGB2 Modular	159039	02-09/18		 14.4 MB