

ITEM 157021 MGB2-H-BA1A8-R-157021

Description	Technical data	Accessories	Downloads
-------------	----------------	-------------	-----------



Features

- › Intelligent bolt tongue
- › Fold-out lockout mechanism
- › Second automatically extending lockout mechanism
- › Lockable from the inside
- › Door handle
- › Door hinge: right

Bolt tongue

The bolt tongue is reliably detected by a transponder as soon as it is inserted into the evaluation module.

Lockout mechanism (automatically extending and fold-out)

For cleaning and service on the machine, the bolt tongue can be locked with max. three padlocks using the fold-out lockout mechanism. In this way the operation of the handle is prevented in the locked state. Additionally, the optional lockout mechanism that extends automatically on the actuation of the handle can be used for three more padlocks.

Lockable from the inside

Handle modules with this function can be returned to the closed position from inside the installation using an escape release.

Door handle

The MGB2 has a robust door handle that can be rotated in 90° steps to suit all installations. The actuating direction can be changed very easily for doors hinged on the left or right.

Door knob

As an alternative to the door handle, the handle module can also be equipped or retrofitted with a door knob.

Approvals



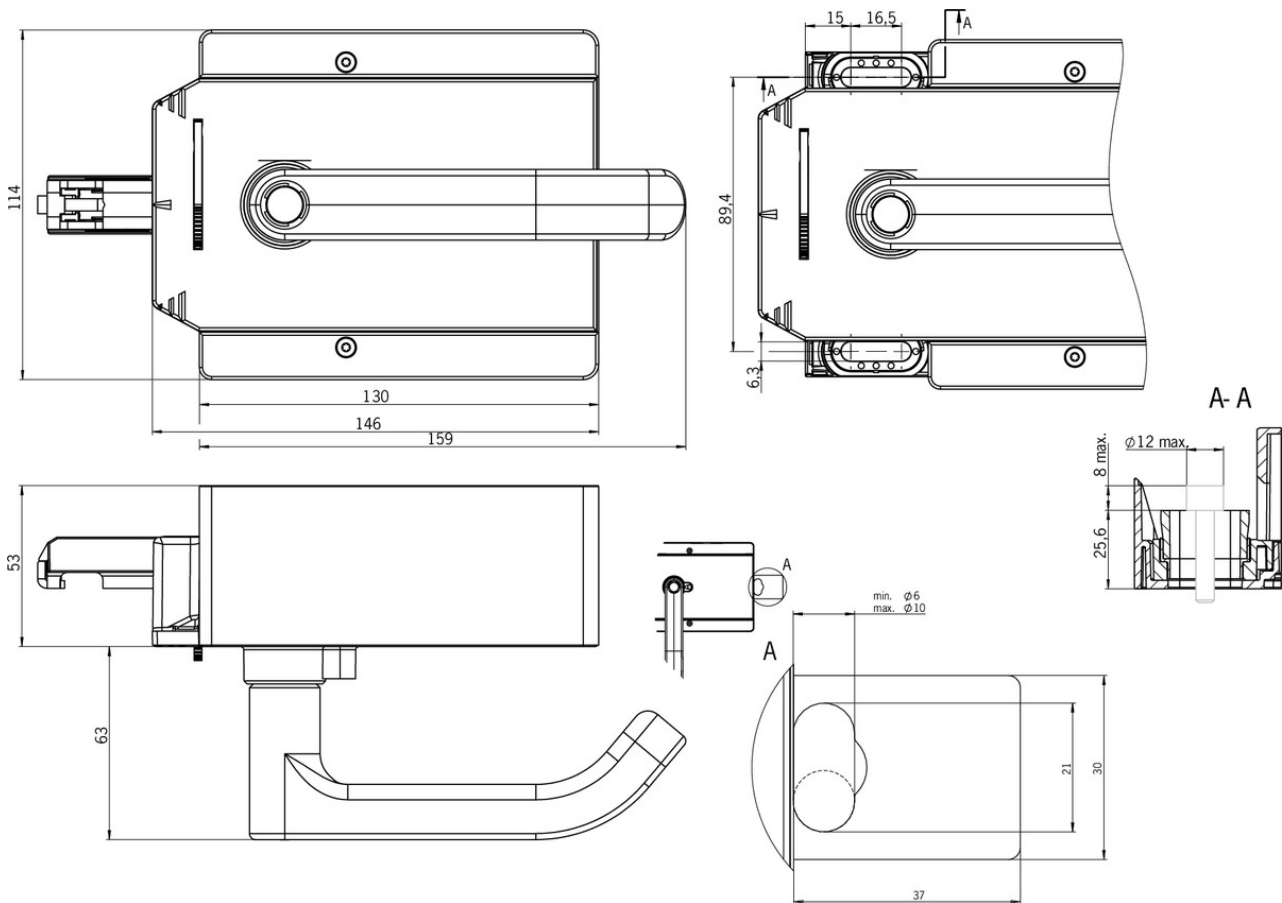
Mechanical values and environment

Housing material	Reinforced plastic, die-cast zinc nickel-plated, stainless steel
Weight	Net 1,1 kg
Ambient temperature	-25 ... 55 °C
Degree of protection	IP65
Installation position	Door hinge DIN right

Miscellaneous

Additional feature	With automatic lockout mechanism
	Can be locked using escape release
Product version number	V1.0.0

Dimension drawing



Function expansion

✓ Door handle for MGB2-H..., silver



156944 AY-DHL-S1-156944

✓ Features

- › For mounting on all MGB2 handle modules MGB2-H...
- › For mounting on all MGBS handle modules MGBS-H...
- › Aluminum, silver anodized

✓ Door knob for MGB2-H..., silver



157017 AY-DKB-S1-157017

✓ Features

- › For mounting on all MGB2 handle modules MGB2-H...
- › For mounting on all MGBS handle modules MGBS-H...
- › e.g. on sliding doors
- › Aluminum, silver anodized

✓ Escape release MGB-E-A...



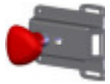
100465 MGB-E-A-100465

✓ Features

- › Escape release from the danger zone

- › Door handle signal red
- › Extended actuation axis for thicker doors (available optionally)

▼ Escape release MGB-E-A7...



117126 MGB-E-A7-117126

▼ Features

- › Escape release from the danger zone
- › Door knob signal red
- › Extended actuation axis for thicker doors (available optionally)

Catalogs

▼ Multifunctional Gate Box MGB2 Modular Multifunctional Gate Box MGB2 Modular Multifunctional Gate Box MGB2 Modular Multifunctional Gate Box MGB2 Modular

	Doc. no.	Version	Language	Download
Multifunctional Gate Box MGB2 Modular	159037	02-09/18		14.3 MB
Multifunctional Gate Box MGB2 Modular	159050	02-09/18		14.4 MB
Multifunctional Gate Box MGB2 Modular	159051	02-09/18		14.4 MB
Multifunctional Gate Box MGB2 Modular	159039	02-09/18		14.4 MB